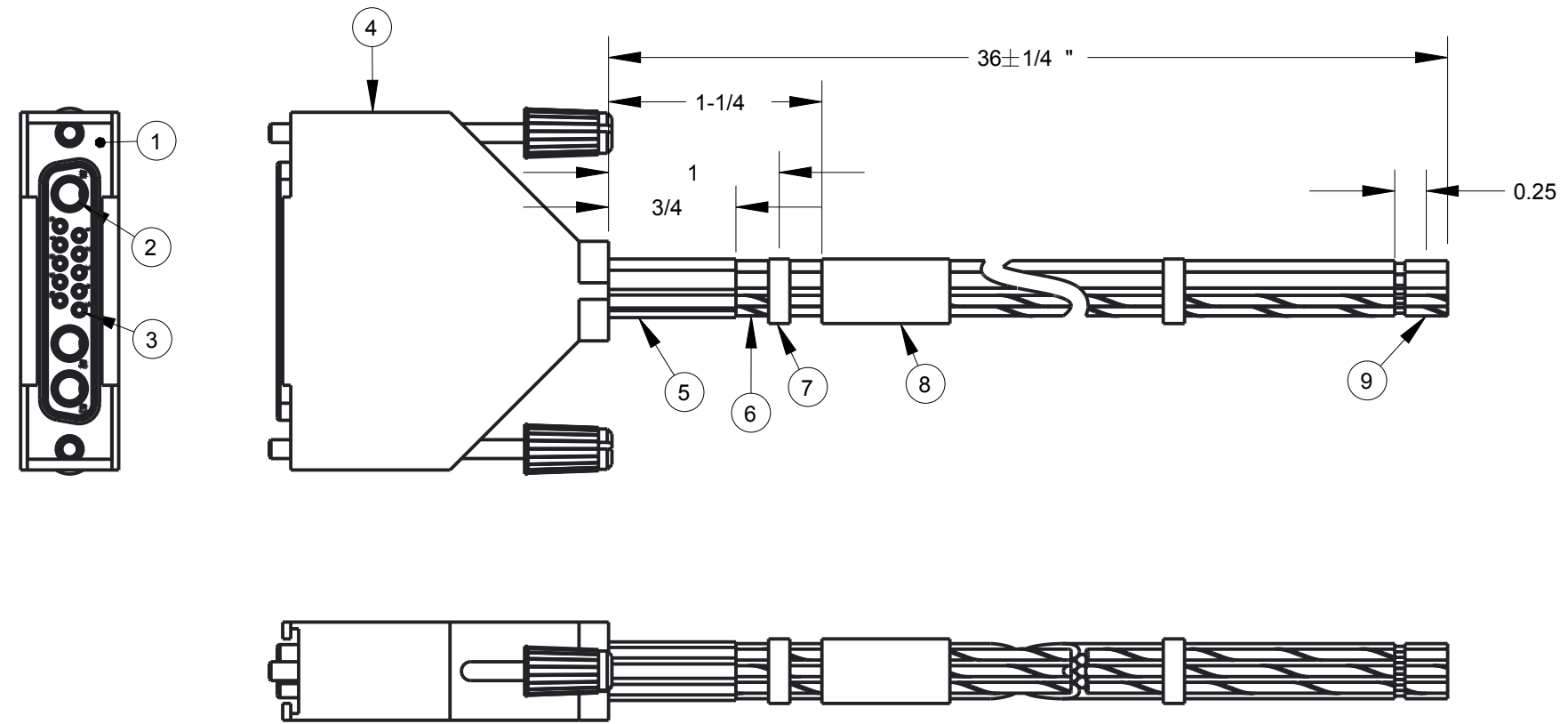
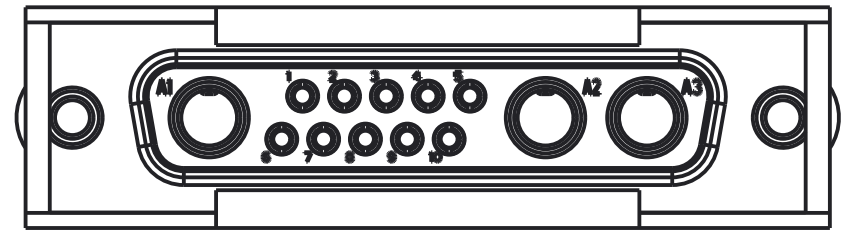


REVISIONS			
REV	DESCRIPTION	DATE	APPROVED
A	INITIAL RELEASE PER ECO 17-22587	6/27/2017	DS



PIN LOCATIONS:
SCALE 2.000



PIN ASSIGNMENTS					
PIN#	COLOR	NAME	DESCRIPTION	AWG	STRANDING
1	GRAY	AGND	ANALOG GROUND	20	10/30
2	YELLOW	INH_1	INHIBIT 1 [REF TO AGND]	20	10/30
3	BLUE	NC	NOT CONNECTED	20	10/30
4	ORANGE	NC	NOT CONNECTED	20	10/30
5	WHITE	NC	NOT CONNECTED	20	10/30
6	BROWN	INPUT_GOOD	[REF TO AGND]	20	10/30
7	VIOLET	STANDBY+	[REF TO STANDBY-]	20	10/30
8	WHITE-BLUE	STANDBY-	STANDBY-	20	10/30
9	WHITE-ORANGE	ON/OFF	[REF TO AGND]	20	10/30
10	WHITE-GREEN	VIN-	[SIGNAL CONNECTION]	20	10/30
A1	GREEN	COM IN	CHASSIS	10	105/30
A2	BLACK	VIN-	POWER CONNECTION	10	105/30
A3	RED	VIN+	POWER CONNECTION	10	105/30

- NOTES:
- CONNECTOR: POSITRONIC CBC13W3S0000X/AA
 - CRIMP TERMINAL: POSITRONIC FC4010D/AA QTY 3
 - CRIMP TERMINAL: POSITRONIC FC6020D/AA QTY 10
 - SHELL: FCI 8655MH2501LF OR EQUIVALENT
 - HEAT SHRINK: SPC PN#FPS-048-1050-BLK OR EQUIVALENT, COLOR: BLACK
 - WIRE INSULATION: UL AWM STYLE 1569 - 300V 105° C / CSA TYPE TRSR-64, 105° C
 - CABLE TIE: SPC PN# VUVT-05M-M OR EQUIVALENT, MIN TENSILE STRENGTH 18 lbs. QTY 5 SPACED 6" (PLACEMENT ON DRAWING NOT TO SCALE)
 - LABEL: TEXT HAS TO BE LEGIBLE WITH A MINIMUM OF .1" TALL CHARACTER HEIGHT.
LABEL FORMAT:
SynQor
Cable PN/Rev
Date Code (YYWW)
 - STRIP-AND-RETAIN WIRE ENDS. 11. ALL PARTS MUST BE ROHS COMPLIANT
 - ALL PARTS MUST BE UL RECOGNIZED AND CSA APPROVED
 - CABLE MANUFACTURER MUST FOLLOW CONNECTOR MANUFACTURER'S CRIMP GUIDELINES
 - ALL PARTS/COMPONENTS MUST BE FREE OF DAMAGE AND CUTS
 - TOLERANCES +/- 1/8" UNLESS SPECIFIED OTHERWISE.

TOLERANCES: Unless otherwise specified: All dimensions in inches .X +/- .025 .XX +/- .010 .XXX +/- .005 Angles +/- 1°				155 Swanson Road Boxborough, MA 01719-1316
	MULTIQOR 10AWG INPUT CABLE MTQ-CBL-INPUT3C			
SOURCE: PRO/E 705-1000231				
SIZE B	DATE 6/27/17	DWG. NO. 705-1000231	REV A	
SCALE: 1.000		DRAWN: DS	CHECK:	
SHEET 1 of 1				

THIS DRAWING IS THE PROPERTY OF SYNQOR LLC. It is not to be reproduced or copied, in whole or in part, or used for furnishing information to others, or for any purpose detrimental to the interests of SynQor. The information shown herein may be protected by patents owned or controlled by SynQor.