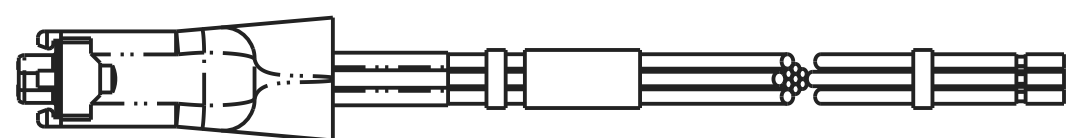
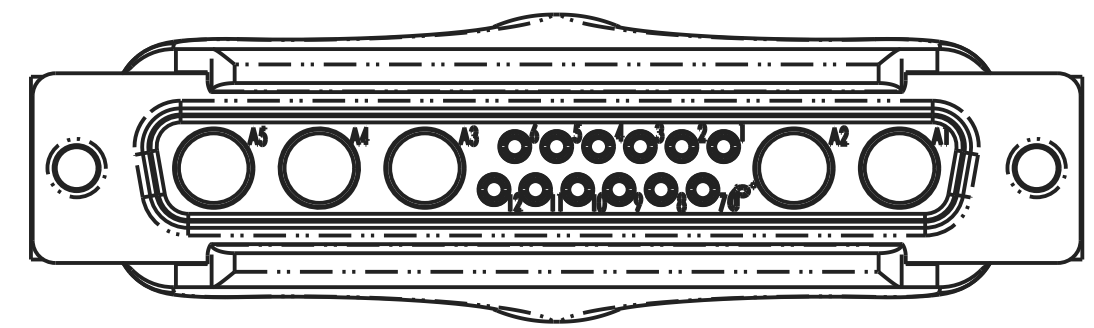
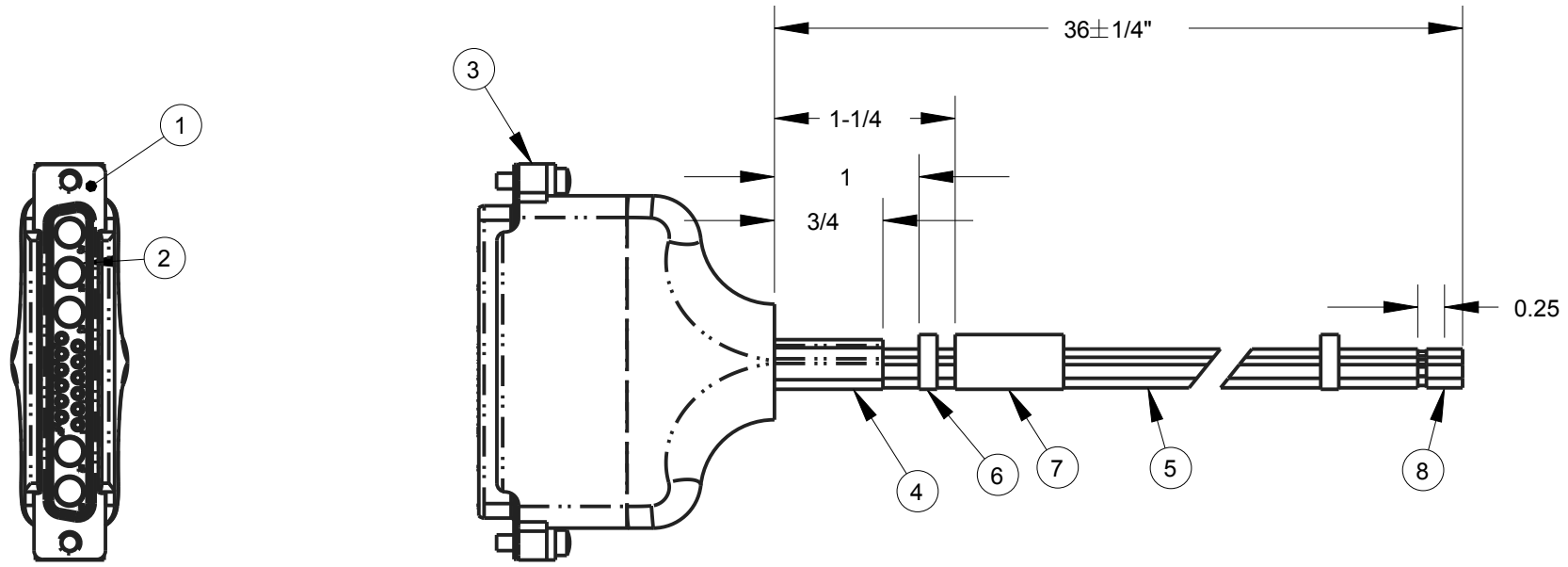


REVISIONS			
REV	DESCRIPTION	DATE	APPROVED
A	RELEASE PER ECO 14-18799	093014	DS



PIN ASSIGNMENTS					
PIN#	COLOR	NAME	DESCRIPTION	AWG	STRANDING
1	GRAY	INPUT_GOOD	[REF TO AGND]	20	10/30
2		NC	NOT CONNECTED	20	10/30
3		NC	NOT CONNECTED	20	10/30
4		NC	NOT CONNECTED	20	10/30
5	WHITE	INH	INHIBIT [REF TO AGND]	20	10/30
6	BROWN	AGND	ANALOG GROUND	20	10/30
7		NC	NOT CONNECTED	20	10/30
8		NC	NOT CONNECTED	20	10/30
9	WHITE-RED	VIN-	[SIGNAL CONNECTION]	20	10/30
10	WHITE-BLACK	ON/OFF	[REF TO AGND]	20	10/30
11		NC	NOT CONNECTED	20	10/30
12		NC	NOT CONNECTED	20	10/30
A1	RED	VIN+	[POWER CONNECTION]	10	105/30
A2	RED	VIN+	[POWER CONNECTION]	10	105/30
A3	BLACK	VIN-	[POWER CONNECTION]	10	105/30
A4	BLACK	VIN-	[POWER CONNECTION]	10	105/30
A5	WHITE	COM IN	CHASSIS	10	105/30

- NOTES:
- CONNECTOR: POSITRONIC CBM17W5S2000X/AA
 - CRIMP TERMINAL: POSITRONIC FC4008D/AA QTY 5
 - SHELL: MOUSER 5745174-1 OR EQUIVALENT
 - HEAT SHRINK: SPC PN#FPS-048-1050-BLK OR EQUIVALENT, COLOR: BLACK
 - WIRE INSULATION: UL AWM STYLE 1569 - 300V 105° C / CSA TYPE TRSR-64, 105 °C
 - CABLE TIE: SPC PN# VUVT-05M-M OR EQUIVALENT, MIN TENSILE STRENGTH 18 lbs. QTY 5 SPACED 6" (PLACEMENT ON DRAWING NOT TO SCALE)
 - LABEL: TEXT HAS TO BE LEGIBLE WITH A MINIMUM OF .1" TALL CHARACTER HEIGHT.
 LABEL FORMAT:
 SynQor
 Cable PN/Rev
 Date Code (YYWW)
 - STRIP-AND-RETAIN WIRE ENDS. 11. ALL PARTS MUST BE ROHS COMPLIANT
 - ALL PARTS MUST BE UL RECOGNIZED AND CSA APPROVED
 - CABLE MANUFACTURER MUST FOLLOW CONNECTOR MANUFACTURER'S CRIMP GUIDELINES
 - ALL PARTS/COMPONENTS MUST BE FREE OF DAMAGE AND CUTS
 - TOLERANCES +/- 1/8" UNLESS SPECIFIED OTHERWISE.

TOLERANCES: Unless otherwise specified: All dimensions in inches .X +/- .025 .XX +/- .010 .XXX +/- .005 Angles +/- 1°	155 Swanson Road Boxborough, MA 01719-1316			
	MTQ 7X7 PARALLEL INPUT CABLE MTQ-CBL-INPUT2C			
THIS DRAWING IS THE PROPERTY OF SYNQOR LLC. It is not to be reproduced or copied, in whole or in part, or used for furnishing information to others, or for any purpose detrimental to the interests of SynQor. The information shown herein may be protected by patents owned or controlled by SynQor.	SOURCE: PRO/E INPUT_CABLE			
	SIZE B	DATE 093014	DWG. NO. 705-1000141	REV A
SCALE: 0.500		DRAWN: DS	CHECK:	SHEET 1 of 1