

REVISIONS			
REV	DESCRIPTION	DATE	APPROVED
1	Initial Release Per ECO 18-23338	01/26/18	DS

A

A

B

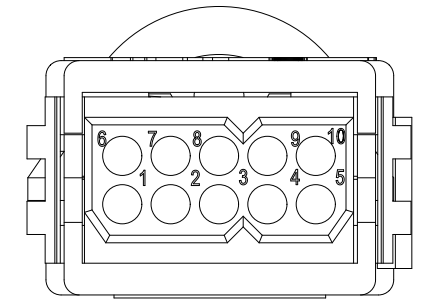
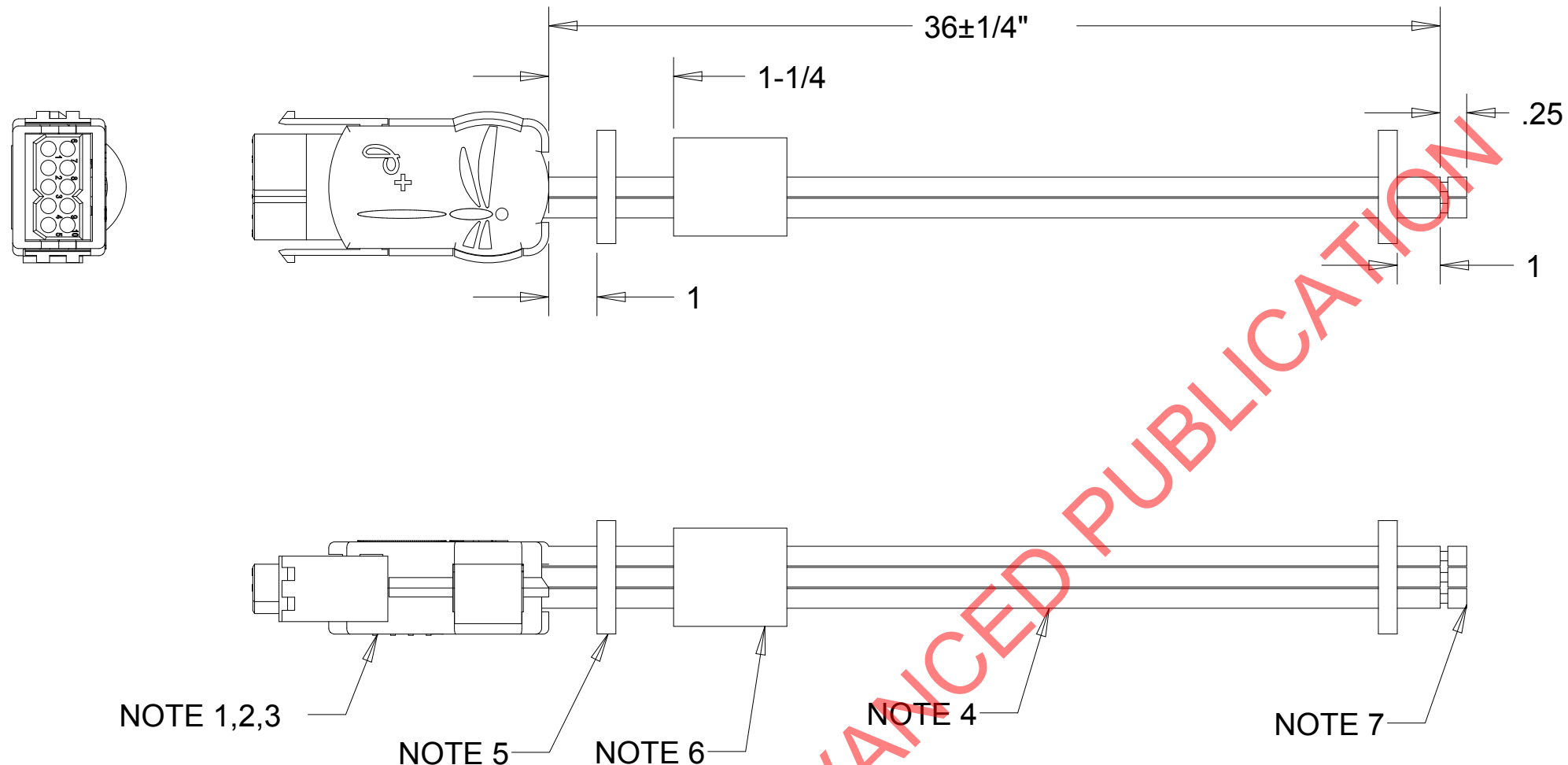
B

C

C

D

D



PIN ASSIGNMENTS		
PIN#	COLOR	NAME
1	Black	AGND
2	Red	AUX IN
3	Orange	CONV 2 ENA
4		NC
5		NC
6	Gray	PFC ENA
7	Blue	AC GOOD
8	Green	CONV 1 ENA
9		NC
10		NC

ADVANCED PUBLICATION

- NOTES:
- CONNECTOR: POSITRONIC DF10F0W1/AA
  - CRIMP TERMINAL: POSITRONIC FC720N7 QTY 10
  - HEAT SHRINK: SPC PN#FPS-048-1050-BLK OR EQUIVALENT, COLOR: BLACK
  - WIRE: 20 AWG UL AWM STYLE 1569 - 300V 105° C / CSA TYPE TRSR-64, 105 °C. 10/30 STRANDING
  - CABLE TIE: SPC PN# VUVT-05M-M OR EQUIVALENT, MIN TENSILE STRENGTH 18 lbs. QTY 5 SPACED 6" (PLACEMENT ON DRAWING NOT TO SCALE)
  - LABEL: TEXT HAS TO BE LEGIBLE WITH A MINIMUM OF .1" TALL CHARACTER HEIGHT.  
LABEL FORMAT:  
SynQor  
Cable PN/Rev  
Date Code (YYWW)
  - STRIP-AND-RETAIN WIRE ENDS.
  - ALL PARTS MUST BE ROHS COMPLIANT
  - ALL PARTS MUST BE UL RECOGNIZED AND CSA APPROVED
  - CABLE MANUFACTURER MUST FOLLOW CONNECTOR MANUFACTURER'S CRIMP GUIDELINES
  - ALL PARTS/COMPONENTS MUST BE FREE OF DAMAGE AND CUTS
  - TOLERANCES +/- 1/8" UNLESS SPECIFIED OTHERWISE.

<b>TOLERANCES:</b> Unless otherwise specified: All dimensions in inches .X +/- .025 .XX +/- .010 .XXX +/- .005 Angles +/- 1°					155 Swanson Road Boxborough, MA 01719-1316	
	<b>MTQ ACDC SIGNAL INPUT CABLE</b> <b>MTQ-CBL-ACINPUTS1</b>				SOURCE: PRO/E MTQ_ACDC_SIGNAL_INPUT_CABLE	
THIS DRAWING IS THE PROPERTY OF SYNQOR LLC. It is not to be reproduced or copied, in whole or in part, or used for furnishing information to others, or for any purpose detrimental to the interests of SynQor. The information shown herein may be protected by patents owned or controlled by SynQor.		SIZE <b>B</b>	DATE <b>1/26/18</b>	DWG. NO. <b>705-1000250</b>	REV <b>1</b>	
SCALE: 0.500		DRAWN: DS	CHECK:	SHEET 1 of 1		

1

2

3

4