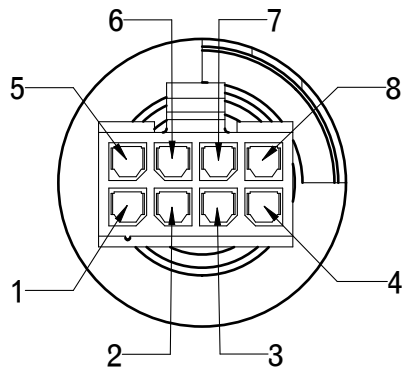
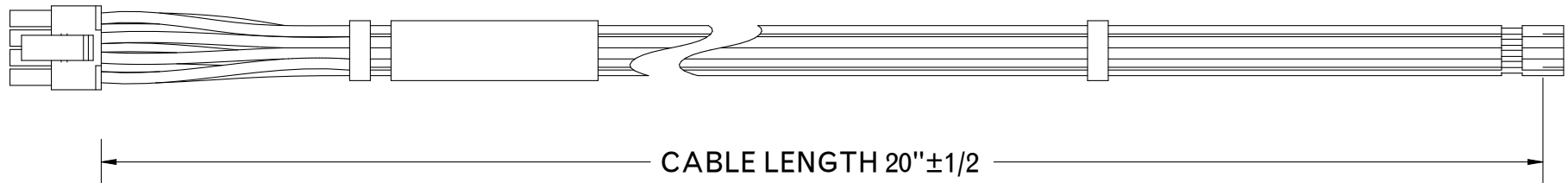


PIN LAYOUT



REVISIONS			
REV	DESCRIPTION	DATE	APPROVED
A	RELEASE TO PRODUCTION PER ECO#13-16957	8/6/13	DS

OUTPUT SIGNAL CABLE



PIN#	WIRE COLOR	DESCRIPTION
1	GREEN	B RS485(-)
2	BROWN	A RS485(+)
3	BLACK W/ WHITE STRIPE	Vout-
4	WHITE	REMOTE ENABLE
5	VIOLET	FAN GOOD
6	YELLOW	AC POWER GOOD
7	LIGHT BLUE	DC POWER GOOD
8	ORANGE	5V STANDBY

- NOTES:**
 1. CABLE KIT INCLUDES:
 ACuQor OUTPUT SIGNAL CABLE P/N 705-1000012
 ACuQor OUTPUT POWER CABLE P/N 705-1000014
 2. DRAWING IS NOT TO SCALE USE FOR REFERENCE ONLY

TOLERANCES:

Unless otherwise specified:
 All dimensions in inches
 .XX +/- .01
 .XXX +/- .005
 Angles +/- 1



155 Swanson Road
 Boxborough, MA 01719

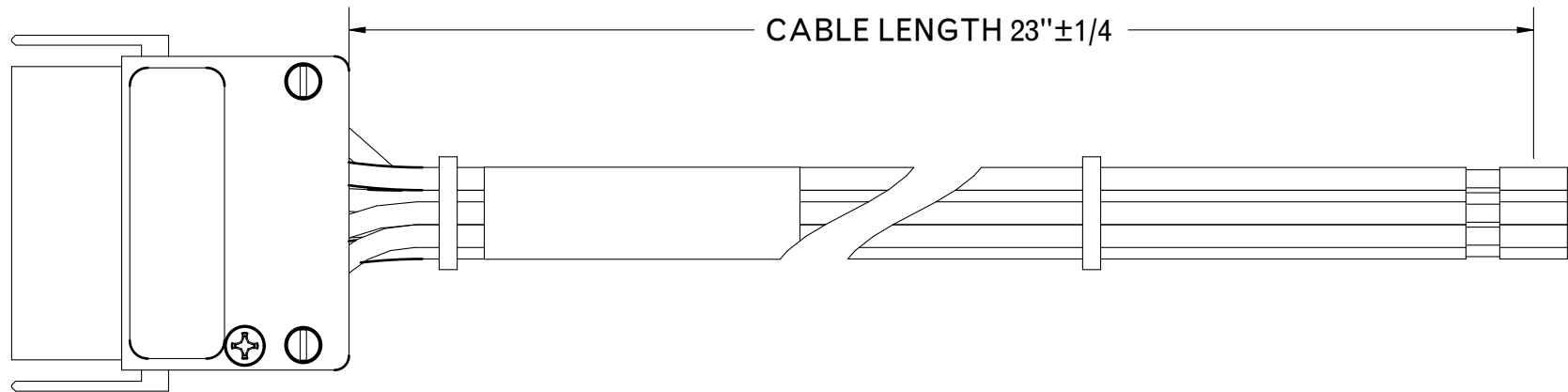
ACuQor Cable Kit

SOURCE: PRO/E 705-1000013

THIS DRAWING IS THE PROPERTY OF SYNQOR INC. It is not to be reproduced or copied, in whole or in part, or used for furnishing information to others, or for any purpose detrimental to the interests of SynQor. The information shown herein may be protected by patents owned or controlled by SynQor.

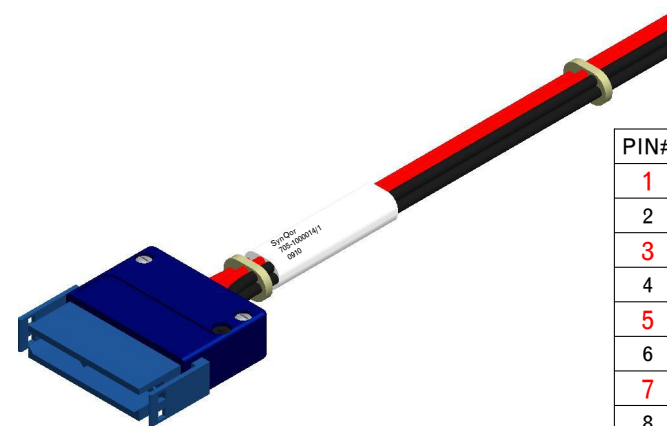
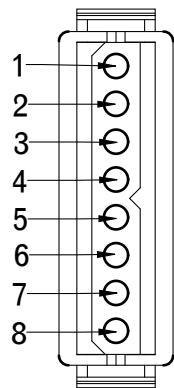
SIZE	DATE	DWG. NO.	REV
A	8/6/13	AQ-CBL-OUT1CDG	A
SCALE: 0.143	DRAWN: DS	CHECK:	SHEET 1 of 2

OUTPUT POWER CABLE



CABLE LENGTH 23"±1/4

PIN LAYOUT



PIN#	WIRE COLOR	DESCRIPTION
1	RED	VOUT(+)
2	BLACK	VOUT(-)
3	RED	VOUT(+)
4	BLACK	VOUT(-)
5	RED	VOUT(+)
6	BLACK	VOUT(-)
7	RED	VOUT(+)
8	BLACK	VOUT(-)

TOLERANCES:

Unless otherwise specified:
 All dimensions in inches
 .XX +/- .01
 .XXX +/- .005
 Angles +/- 1

SynQor

155 Swanson Road
 Boxborough, MA 01719

ACuQor Cable Kit

SOURCE: PRO/E 705-1000014

THIS DRAWING IS THE PROPERTY OF SYNQOR INC. It is not to be reproduced or copied, in whole or in part, or used for furnishing information to others, or for any purpose detrimental to the interests of SynQor. The information shown herein may be protected by patents owned or controlled by SynQor.

SIZE	DATE	DWG. NO.	REV
A	8/6/13	AQ-CBL-OUT1CDG	A
SCALE: 1.000	DRAWN: DS	CHECK:	SHEET 2 of 2