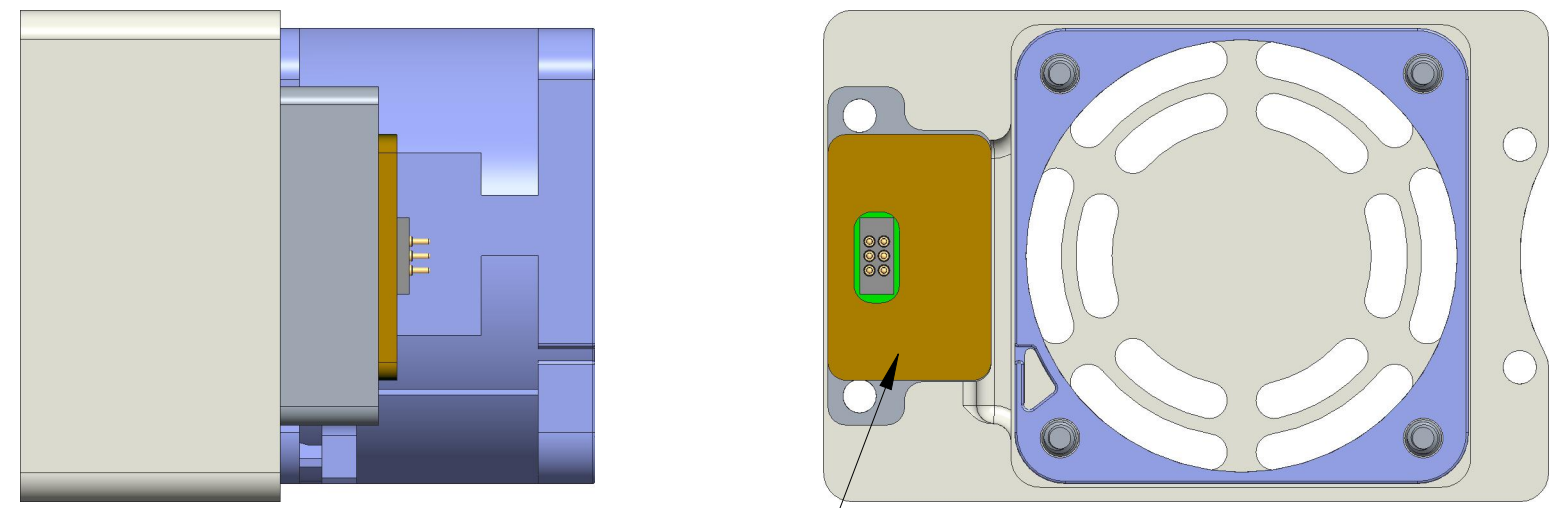
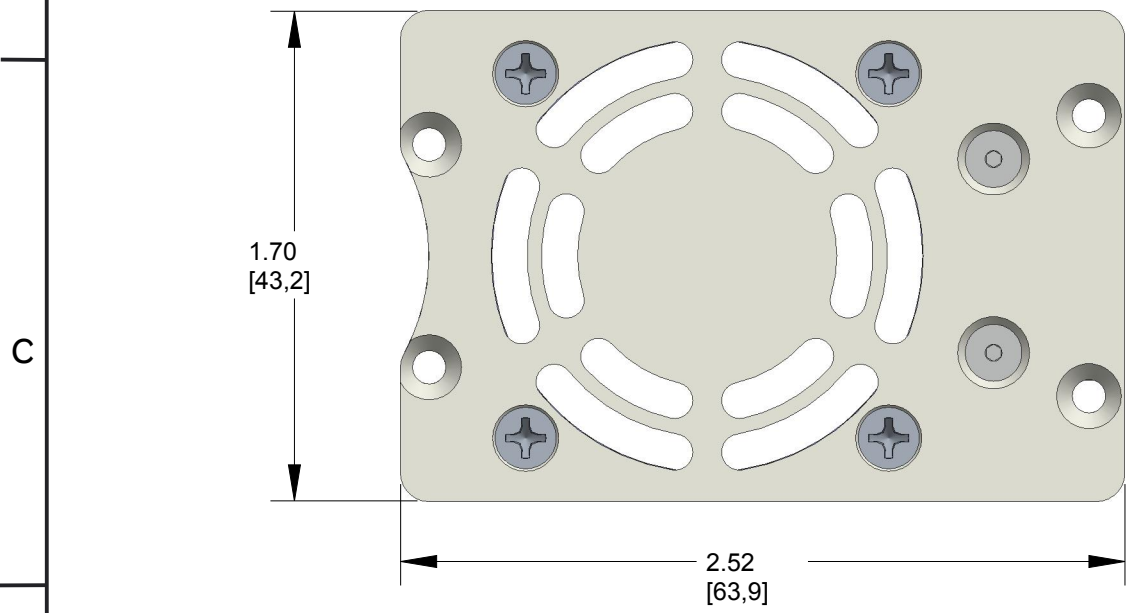
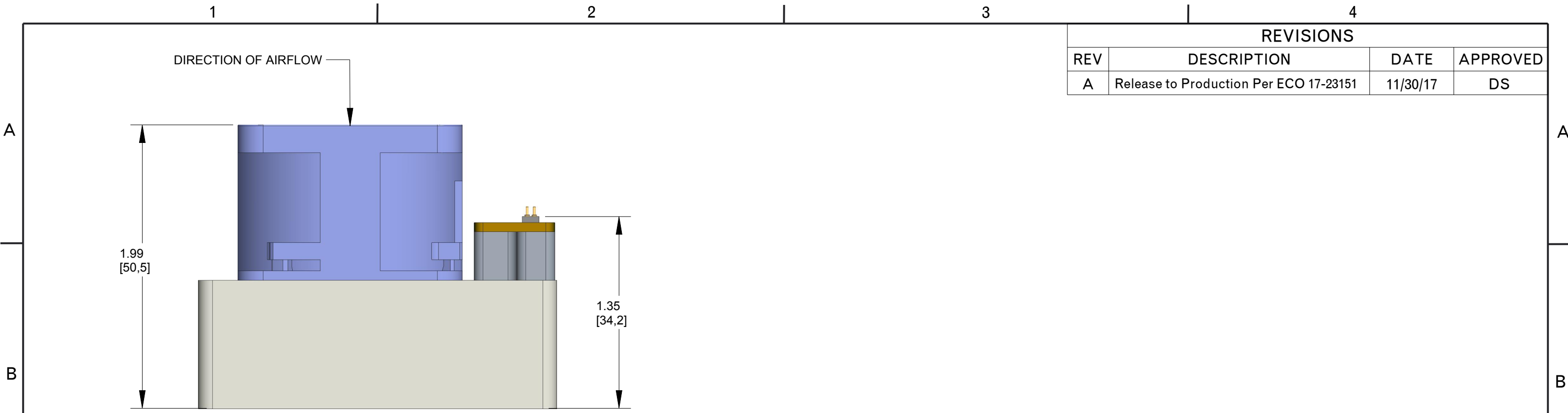
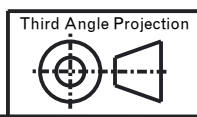


REVISIONS			
REV	DESCRIPTION	DATE	APPROVED
A	Release to Production Per ECO 17-23151	11/30/17	DS



NOTES:
 1. REFERENCE SYNQOR SPECIFICATION: 705-1000174
 2. WEIGHT: 5.44oz(154g)

TOLERANCES:
 Unless otherwise specified:
 All dimensions in inches
 .X +/- .025
 .XX +/- .010
 .XXX +/- .005
 Angles +/- 1°



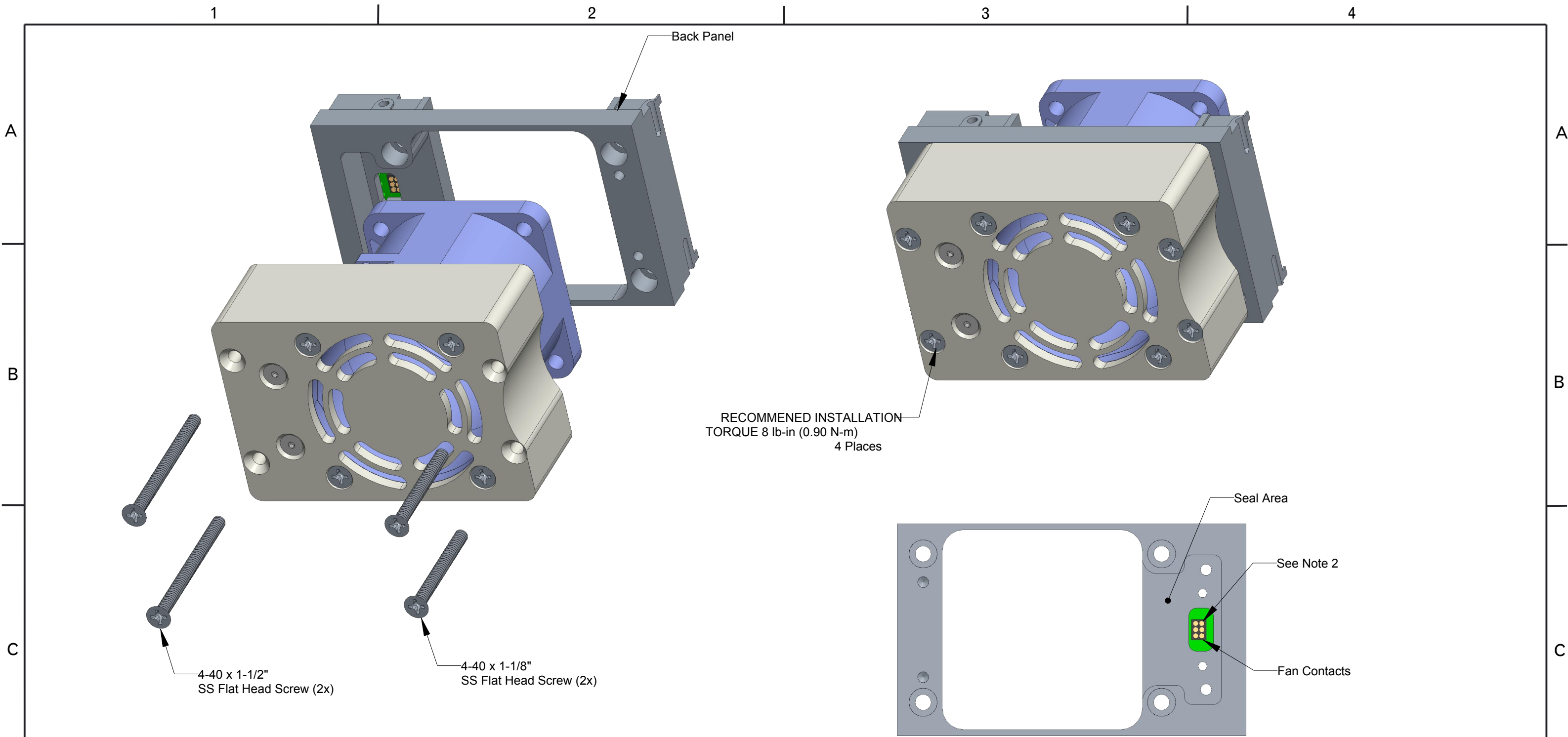
SynQor 155 Swanson Road
 Boxborough, MA 01719-1316

**Counter Rotating
 Replacement Fan Module**

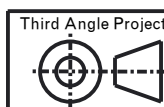

SOURCE: PRO/E 012-6MPS002-FAN_ASSEMBLY_KIT

THIS DRAWING IS THE PROPERTY OF SYNQOR LLC.
 It is not to be reproduced or copied, in whole
 or in part, or used for furnishing information
 to others, or for any purpose detrimental to the
 interests of SynQor. The information shown herein
 may be protected by patents owned or controlled by SynQor.

SIZE B	DATE 11/30/17	DWG. NO. SYN-9452	REV A
SCALE: 1.000		DRAWN: DS	CHECK: SHEET 1 of 2



Replacable fan installation notes:
 1. Removal: Remove and discard 4-40 screws. Slide fan module out of back panel.
 2. Cleaning: Carefully clean fan contacts and surrounding area to remove any dirt or foreign material if present.
 3. Installation: Insert fan module. Install 4-40 screws supplied in kit. Torque screws as indicated.

TOLERANCES: Unless otherwise specified: All dimensions in inches .X +/- .025 .XX +/- .010 .XXX +/- .005 Angles +/- 1°						155 Swanson Road Boxborough, MA 01719-1316	
				Counter Rotating Replacement Fan Module			
SOURCE: PRO/E FAN_PCB_WIRED				SIZE B	DATE 11/30/17	DWG. NO. SYN-9452	REV A
THIS DRAWING IS THE PROPERTY OF SYNQOR LLC. It is not to be reproduced or copied, in whole or in part, or used for furnishing information to others, or for any purpose detrimental to the interests of SynQor. The information shown herein may be protected by patents owned or controlled by SynQor.		SCALE: 1.000		DRAWN: DS		CHECK: SHEET 2 of 2	