

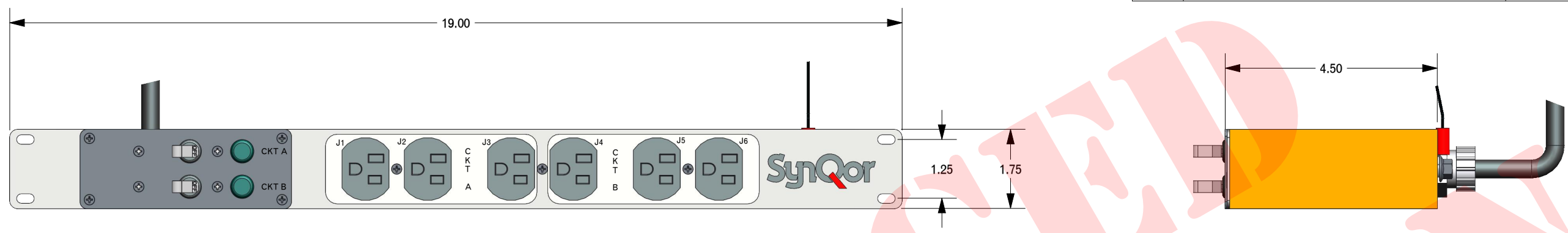
1

2

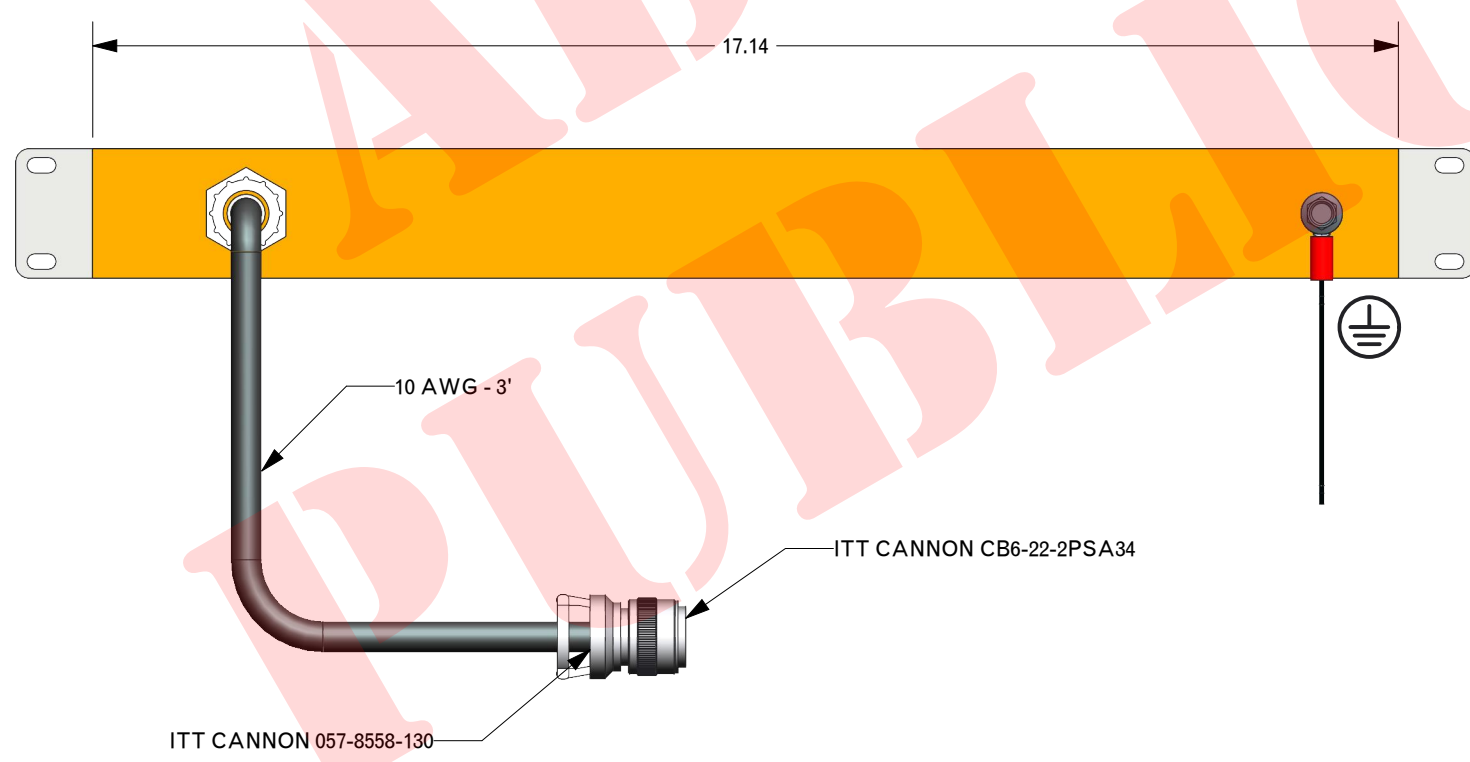
3

4



REVISIONS			
REV	DESCRIPTION	DATE	APPROVED
1	INITIAL RELEASE PER ECO 14-19076	11/21/14	RGH



IMPORTANT SAFETY INFORMATION
THIS POWER STRIP IS ONLY TO BE USED WITH A UPS-3000 CONTAINING
THE AC OUTPUT NEUTRAL WIRE GROUNDED (G) OPTION. NEVER
OPERATE THIS POWER STRIP WITH THE FLOATING (F) NEUTRAL OPTION.



- Notes:
- 1) Plug Receptacle: NEMA 5-15R, 15A 120V.
 - 2) Circuit Breaker: 20A, 2 Pole (individually tripping), Medium Delay
 - 3) Weight: TBD
 - 4) Standard hole locations for 19" rack mount

TOLERANCES: Unless otherwise specified: All dimensions in inches .X +/- .025 .XX +/- .010 .XXX +/- .005 Angles +/- 1°		 Third Angle Projection		 155 Swanson Road Boxborough, MA 01719-1316	
UPS-3000 Power Strip With Breaker				SOURCE: PRO/E SYN-9236	
SIZE B	DATE 11-21-14	DWG. NO. SYN-9236	REV 1		
SCALE: 0.111		DRAWN:	CHECK:	SHEET 1 of 1	

THIS DRAWING IS THE PROPERTY OF SYNQOR LLC. It is not to be reproduced or copied, in whole or in part, or used for furnishing information to others, or for any purpose detrimental to the interests of SynQor. The information shown herein may be protected by patents owned or controlled by SynQor.

1

2

3

4