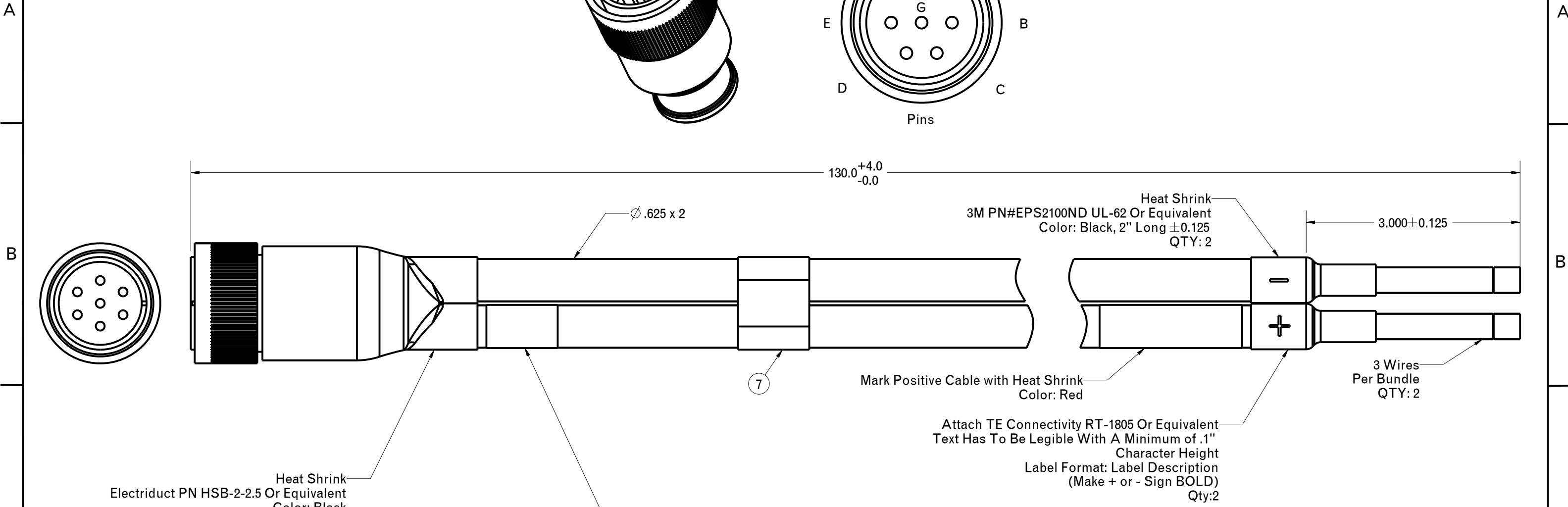
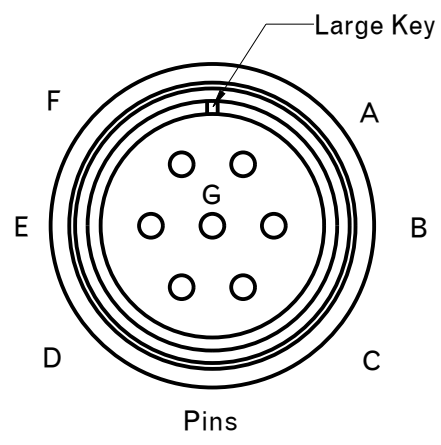
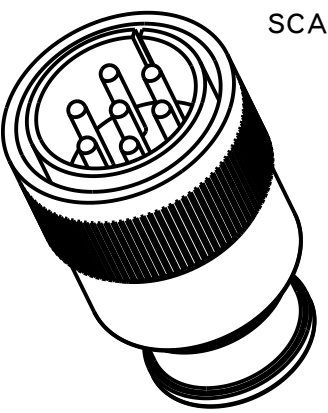


REVISIONS			
REV	DESCRIPTION	DATE	APPROVED
A	Initial Release Per ECO 16-21350	071416	L. PITZELE



Pin In #	Wire Color	Label Description
A	Black	-V In
B	White	-V In
C	Green w/ Yellow	-V In
D	Black	+V In
E	White	+V In
F	Green w/ Yellow	+V In
G	No Connection	No Connection

- NOTES:
- USE ITT CANNON CB6UHST-4-24-10PSA34 OR EQUIVALENT
 - SEAL BACK END OF CONNECTOR WITH 3M DP100FR OR EQUIVALENT
 - USE ELECTRIDUCT HSB-2-2.5 Y-SHAPED HEAT SHRINK OR EQUIVALENT
 - USE TWO 8 AWG SOOW WIRES WITH 3 CONDUCTORS (8/3). WIRE INSULATION: COLOR CODED SYNTHETIC RUBBER (EPDM) OIL AND WATER RESISTANT PER UL-62 OVERALL NOMINAL WIRE DIAMETER: .625" x 2
 - ASSEMBLE CABLE PER IPC/WHMA-A-620, CLASS 3
 - OTHER LENGTHS AVAILABLE. MINIMUM RECOMMENDED LENTH IS 2', MAXIMUM LENGTH IS 8'
 - HEATSHRINK BOTH CABLES TOGETHER EVERY 2'
 - ALL PARTS MUST BE UL RECOGNIZED AND RoHS COMPLIANT.
 - ALL EQUIVALENT CHANGES MUST BE REVIEWED BY SYNQOR AND APPROVED PRIOR TO USE.
 - ALL PARTS/COMPONENTS MUST BE FREE OF DAMAGE AND CUTS.
 - A CERTIFICATE OF CONFORMANCE (C OF C) NEEDS TO BE PROVIDED WITH EACH NEW LOT THAT INDICATES THE PARTS HAVE BEEN MANUFACTURED PER THE SPECIFICATIONS SUPPLIED BY SYNQOR.

Label Format:
 SynQor Logo (As Provided)
 SYN Cable# (SYN-9****, Should Be Larger Text)
 Drawing # (706-10000***)/REV
 Date Code (YYWW)

TOLERANCES:
 Unless otherwise specified:
 All dimensions in inches
 .X +/- .025
 .XX +/- .010
 .XXX +/- .005
 Angles +/- 1°

Third Angle Projection

THIS DRAWING IS THE PROPERTY OF SYNQOR LLC. It is not to be reproduced or copied, in whole or in part, or used for furnishing information to others, or for any purpose detrimental to the interests of SynQor. The information shown herein may be protected by patents owned or controlled by SynQor.

SynQor 155 Swanson Road
 Boxborough, MA 01719-1316

UPS-3000 DC2 Output External Cable, Hardwire (SYN-9178)

SOURCE: PRO/E 705-1000217

SIZE	DATE	DWG. NO.	REV
B	071416	705-1000217	A

SCALE: 1.00 DRAWN: LDP CHECK: SHEET 1 of 1

*FOR INTERNAL USE: See document REF-100 for complete list of available part numbers.