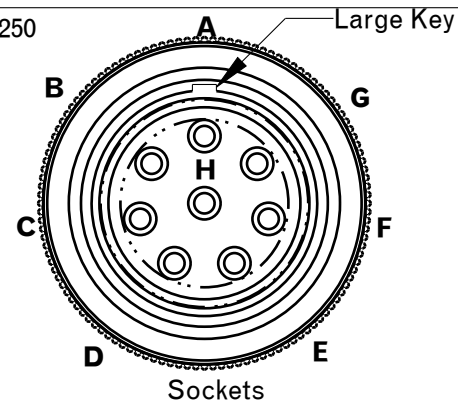
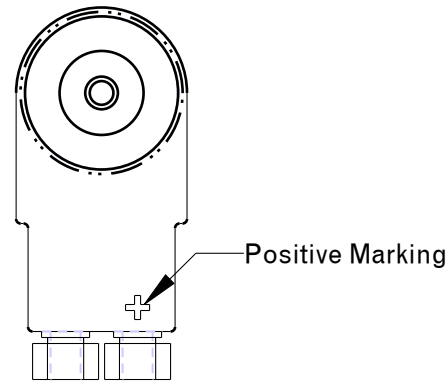


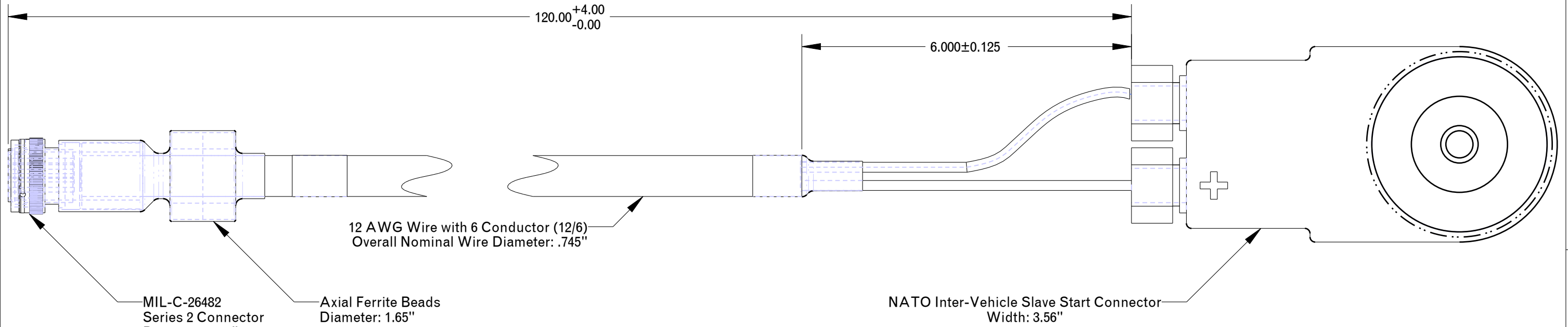
SCALE 1.250



SCALE 0.250



REVISIONS			
REV	DESCRIPTION	DATE	APPROVED
B	FIXED TOLERANCE PER ECO #12-14565	01/20/12	S SHAW



Pin In #	Wire Color	Label Description	Pin Out #
A	No Connection	No Connection	
B	Black	-V In	Non Marked
C	Blue	-V In	Non Marked
D	Orange	-V In	Non Marked
E	Green	+V In	Positive
F	Red	+V In	Positive
G	White	+V In	Positive
H	No Connection	No Connection	

**TOLERANCES:**  
 Unless otherwise specified:  
 All dimensions in inches  
 .XX +/- .01  
 .XXX +/- .005  
 Angles +/- 1

**SynQor** 155 Swanson Road  
 Boxborough, MA 01719-1316

**UPS DC Input External Cable (NATO)**

SOURCE: PRO/E DC INPUT NATO EXTERNAL CABLE

SIZE	DATE	DWG. NO.	REV
B	20-Jan-12	SYN-9154	B
SCALE:	0.550	DRAWN: SJS	CHECK:
		SHEET 1 of 1	

Notes:  
 1. REFERENCE SYNQOR SPECIFICATION: 705-100058

THIS DRAWING IS THE PROPERTY OF SYNQOR LLC. It is not to be reproduced or copied, in whole or in part, or used for furnishing information to others, or for any purpose detrimental to the interests of SynQor. The information shown herein may be protected by patents owned or controlled by SynQor.