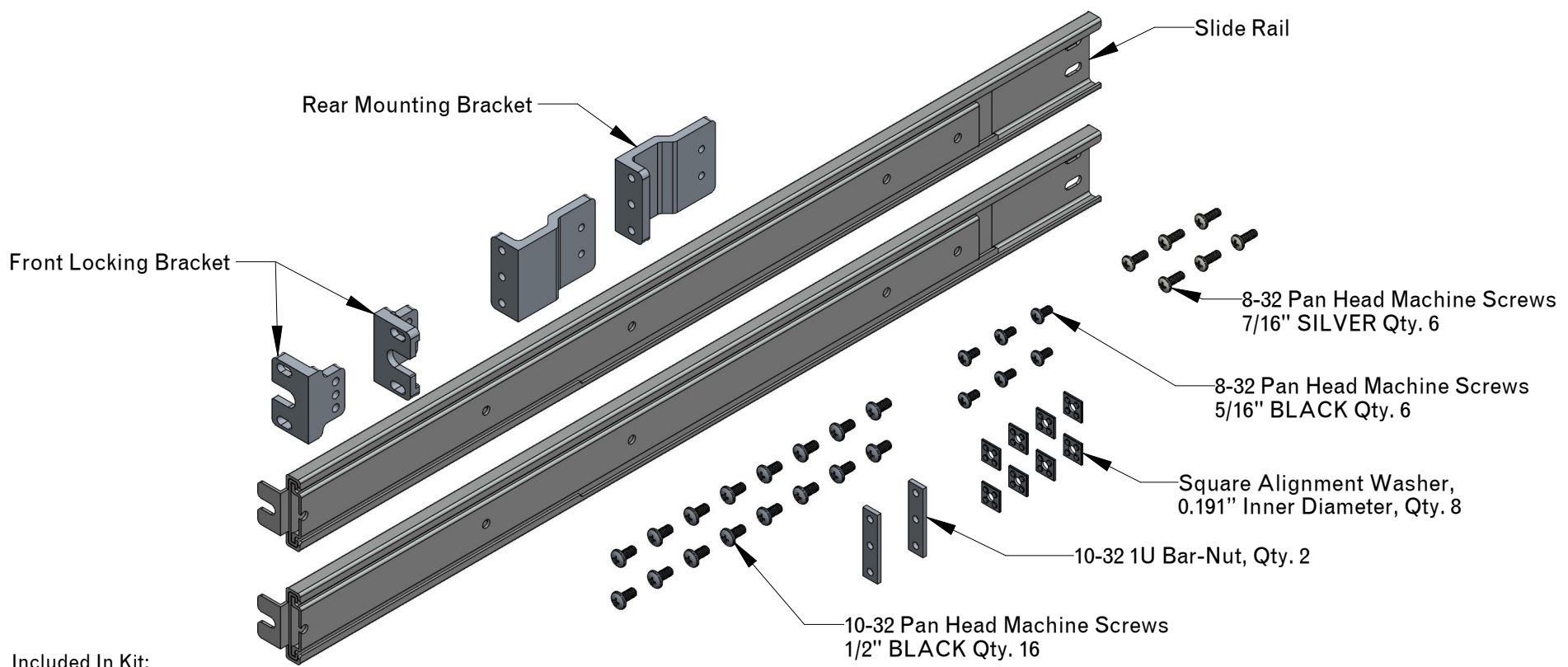


Kit Contents

REVISIONS			
REV	DESCRIPTION	DATE	APPROVED
A	INITIAL RELEASE PER ECO 18-23382	02/02/18	K.DUBROWN



Included In Kit:

1. SLIDE RAIL, QTY: 2
2. REAR MOUNTING BRACKET, QTY: 2
3. FRONT LOCKING BRACKET, QTY: 2
4. 18-8 SS PAN HEAD PHILIPS MACHINE SCREW 8-32 THREAD, 5/16" LENGTH, BLACK OXIDE FINISH QTY: 6
5. 18-8 SS PAN HEAD PHILIPS MACHINE SCREW 8-32 THREAD, 7/16" LENGTH, PLAIN FINISH QTY: 6
6. 18-8 SS PAN HEAD PHILIPS MACHINE SCREW 10-32 THREAD, 1/2" LENGTH, BLACK OXIDE FINISH, QTY: 16
7. TYPE 302 ANNEALED SS 10-32 1U BAR-NUT, QTY: 2
8. 18-8 SS SQUARE ALIGNMENT WASHER, 0.191" INNER DIAMETER, QTY: 8
8. REFERENCE SYNQOR SPECIFICATIONS: 554-1000022
554-1000008 & 554-1000023
9. WEIGHT: 5.6 lbs (2.54 kg)

TOLERANCES:
 Unless otherwise specified:
 All dimensions in inches
 .X +/- .025
 .XX +/- .010
 .XXX +/- .005
 Angles +/- 1°

THIRD ANGLE PROJECTION

THIS DRAWING IS THE PROPERTY OF SYNQOR INC. It is not to be reproduced or copied, in whole or in part, or used for furnishing information to others, or for any purpose detrimental to the interests of SynQor. The information shown herein may be protected by patents owned or controlled by SynQor.

SynQor 155 Swanson Road
 Boxborough, MA 01719

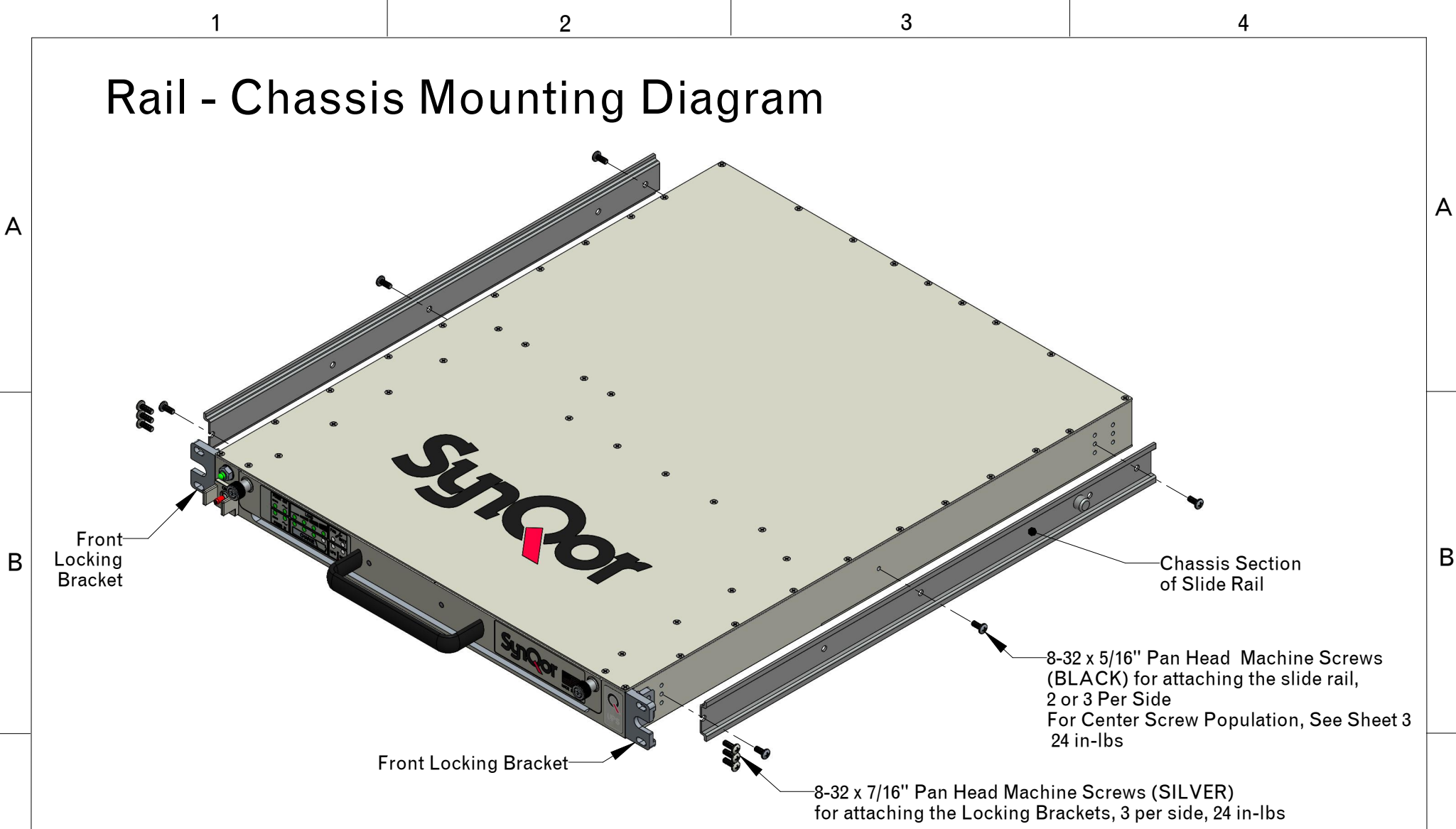
UPS Slide Rail, Behind-Rail Mount Kit
 (24" Depth, 450mm Opening)

SOURCE: PRO/E ASSEMBLY_STEP5

SIZE	DATE	DWG. NO.	REV
A	FEB-02-18	SYN-9049	A

SCALE: 0.325 DRAWN: KJD CHECK: SHEET 1 of 8

Rail - Chassis Mounting Diagram

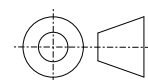


TOLERANCES:

Unless otherwise specified:
All dimensions in inches

- .X +/- .025
- .XX +/- .010
- .XXX +/- .005
- Angles +/- 1°

THIRD ANGLE PROJECTION



THIS DRAWING IS THE PROPERTY OF SYNQOR INC.
It is not to be reproduced or copied, in whole or in part, or used for furnishing information to others, or for any purpose detrimental to the interests of SynQor. The information shown herein may be protected by patents owned or controlled by SynQor.



155 Swanson Road
Boxborough, MA 01719

UPS Slide Rail, Behind-Rail Mount Kit (24" Depth, 450mm Opening)

SOURCE: PRO/E ASSEMBLY_STEP1

SIZE	DATE	DWG. NO.	REV
A	FEB-02-18	SYN-9049	A

SCALE: 0.250 DRAWN: LDP CHECK: SHEET 2 of 8

Rail - Chassis Mounting Positions



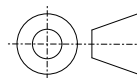
- Note:
1. Attach Chassis Section of Slide-Rail to Chassis at Highlighted Locations.
 2. Color Differentiates Product Hole Positions Only. Mounting Hardware Quantity and Location Are the Only Differences Between Products.

TOLERANCES:

Unless otherwise specified:
All dimensions in inches

- .X +/- .025
- .XX +/- .010
- .XXX +/- .005
- Angles +/- 1°

THIRD ANGLE PROJECTION



THIS DRAWING IS THE PROPERTY OF SYNQOR INC.
It is not to be reproduced or copied, in whole or in part, or used for furnishing information to others, or for any purpose detrimental to the interests of SynQor. The information shown herein may be protected by patents owned or controlled by SynQor.



155 Swanson Road
Boxborough, MA 01719

UPS Slide Rail, Behind-Rail Mount Kit (24" Depth, 450mm Opening)

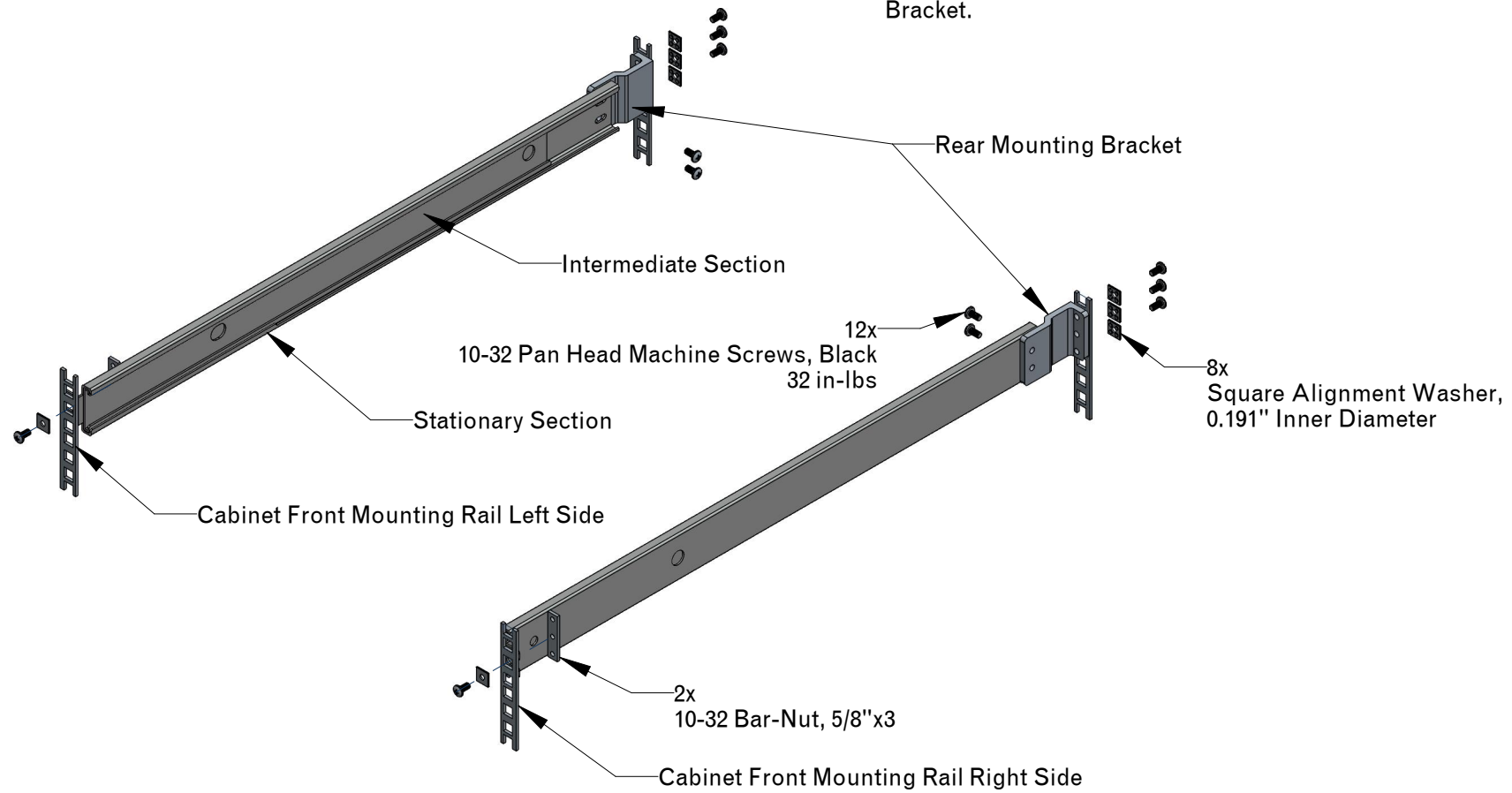
SOURCE: PRO/E ASSEMBLY_STEP1

SIZE	DATE	DWG. NO.	REV
A	FEB-02-18	SYN-9049	A

SCALE: 0.250 DRAWN: KJD CHECK: SHEET 3 of 8

Rail - Rack Mounting Diagram

NOTE:
 Intermediate Section **MUST** be inserted into the Stationary Section **BEFORE** the Rear Mounting Bracket is installed.
 Intermediate Section is installed from the same end as the End Bracket.

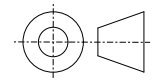


TOLERANCES:

Unless otherwise specified:
 All dimensions in inches

- .X +/- .025
- .XX +/- .010
- .XXX +/- .005
- Angles +/- 1°

THIRD ANGLE PROJECTION



THIS DRAWING IS THE PROPERTY OF SYNQOR INC.
 It is not to be reproduced or copied, in whole or in part, or used for furnishing information to others, or for any purpose detrimental to the interests of SynQor. The information shown herein may be protected by patents owned or controlled by SynQor.



155 Swanson Road
 Boxborough, MA 01719

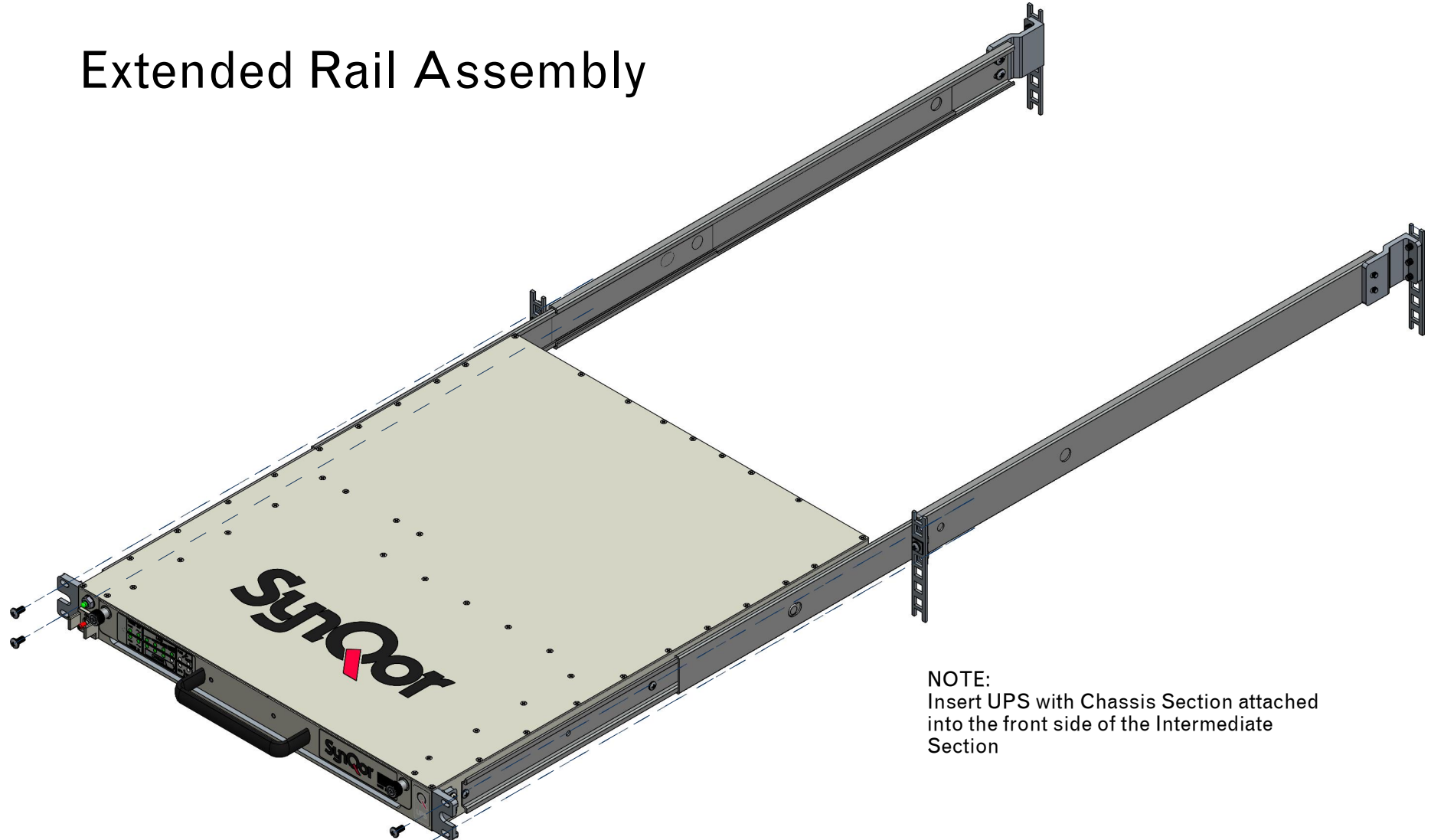
UPS Slide Rail, Behind-Rail Mount Kit (24" Depth, 450mm Opening)

SOURCE: PRO/E ASSEMBLY_STEP2

SIZE	DATE	DWG. NO.	REV
A	FEB-02-18	SYN-9049	A

SCALE: 0.200	DRAWN: KJD	CHECK:	SHEET 4 of 8
--------------	------------	--------	--------------

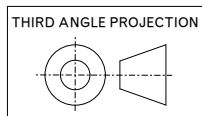
Extended Rail Assembly



NOTE:
Insert UPS with Chassis Section attached into the front side of the Intermediate Section

4x
10-32 Pan Head Machine Screws, Black
32 in-lbs

TOLERANCES:
Unless otherwise specified:
All dimensions in inches
.X +/- .025
.XX +/- .010
.XXX +/- .005
Angles +/- 1°



THIS DRAWING IS THE PROPERTY OF SYNQOR INC.
It is not to be reproduced or copied, in whole or in part, or used for furnishing information to others, or for any purpose detrimental to the interests of SynQor. The information shown herein may be protected by patents owned or controlled by SynQor.

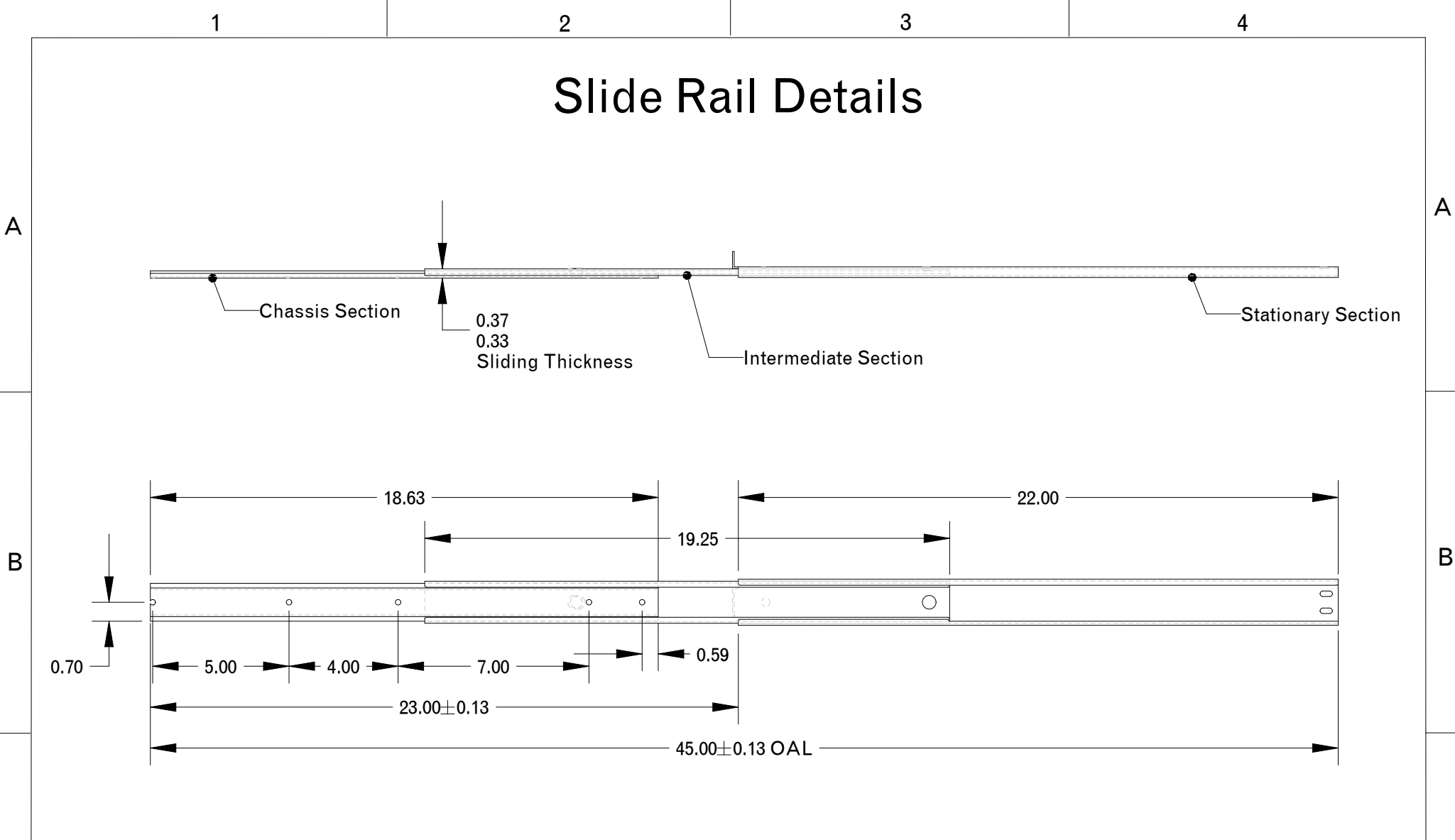


155 Swanson Road
Boxborough, MA 01719

UPS Slide Rail, Behind-Rail Mount Kit (24" Depth, 450mm Opening)

SOURCE: PRO/E ASSEMBLY_STEP3			
SIZE	DATE	DWG. NO.	REV
A	FEB-02-18	SYN-9049	A
SCALE: 0.200	DRAWN: KJD	CHECK:	SHEET 5 of 8

Slide Rail Details



- Notes**
1. ALL SLIDING MEMBERS OF THE STANDARD SLIDE ARE MADE FROM COLD ROLLED STEEL.
 2. WEIGHT CAPACITY OF THE RAIL IS 85 lbs.

TOLERANCES:
 Unless otherwise specified:
 All dimensions in inches
 .X +/- .025
 .XX +/- .010
 .XXX +/- .005
 Angles +/- 1°

THIRD ANGLE PROJECTION

THIS DRAWING IS THE PROPERTY OF SYNQOR INC.
 It is not to be reproduced or copied, in whole or in part, or used for furnishing information to others, or for any purpose detrimental to the interests of SynQor. The information shown herein may be protected by patents owned or controlled by SynQor.

SynQor

155 Swanson Road
Boxborough, MA 01719

UPS Slide Rail, Behind-Rail Mount Kit
(24" Depth, 450mm Opening)

SOURCE: PRO/E 554-1000023

SIZE	DATE	DWG. NO.	REV
A	FEB-02-18	SYN-9049	A

SCALE: 0.200
DRAWN: LDP
CHECK:
SHEET 6 of 8

1

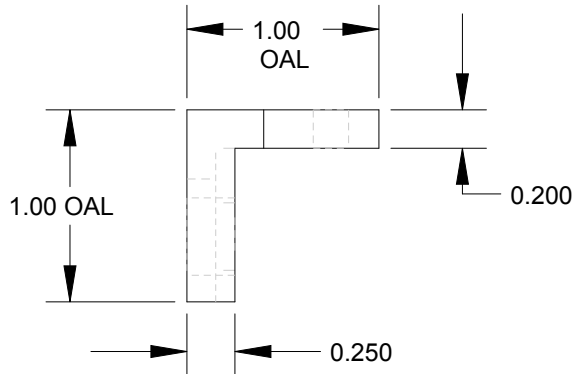
2

3

4

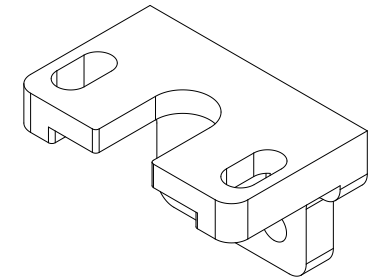
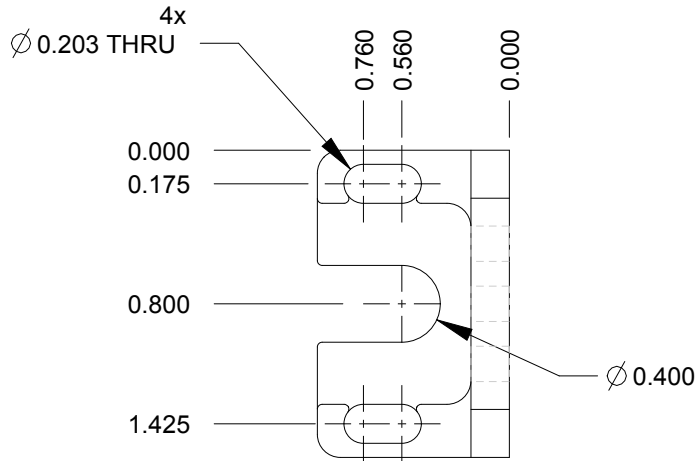
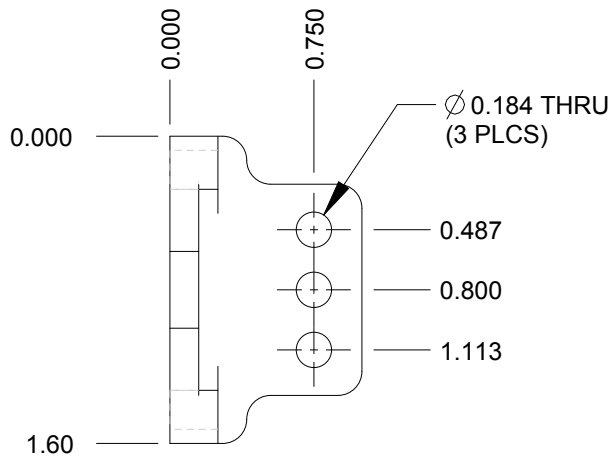
A

A



B

B



C

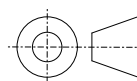
C

NOTES:
 1. MATERIAL: 6061-T6 ALUMINUM
 2. FINISH: CLEAR ANODIZED

TOLERANCES:

Unless otherwise specified:
 All dimensions in inches
 .X +/- .025
 .XX +/- .010
 .XXX +/- .005
 Angles +/- 1°

THIRD ANGLE PROJECTION



THIS DRAWING IS THE PROPERTY OF SYNQOR INC.
 It is not to be reproduced or copied, in whole
 or in part, or used for furnishing information
 to others, or for any purpose detrimental to the
 interests of SynQor. The information shown herein
 may be protected by patents owned or controlled by SynQor.



155 Swanson Road
 Boxborough, MA 01719

**UPS Slide Rail, Behind-Rail Mount Kit
 (24" Depth, 450mm Opening)**

SOURCE: PRO/E 554-1000008

SIZE	DATE	DWG. NO.	REV
A	FEB-02-18	SYN-9049	A

SCALE: 1.000 DRAWN: LDP CHECK: SHEET 7 of 8

1

2

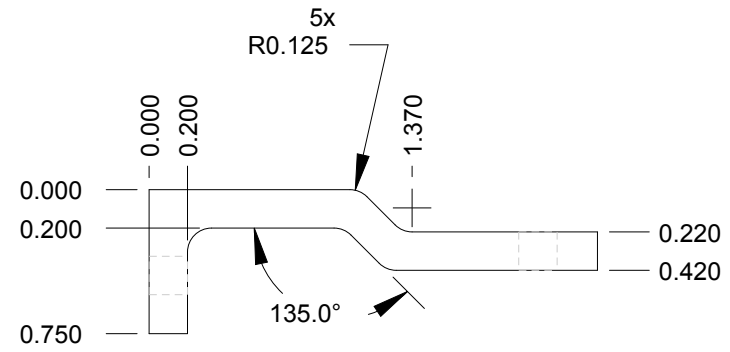
3

4

1 2 3 4

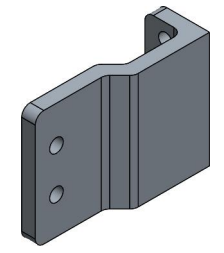
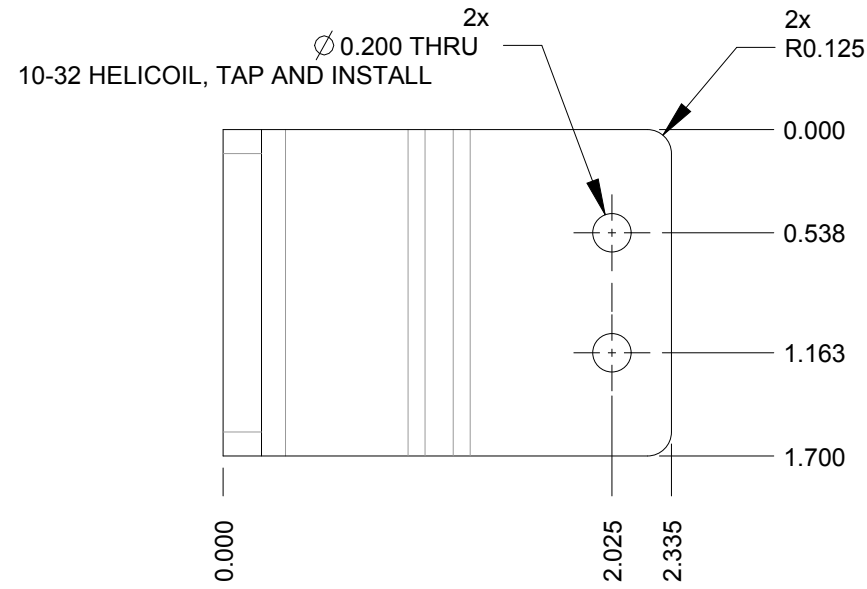
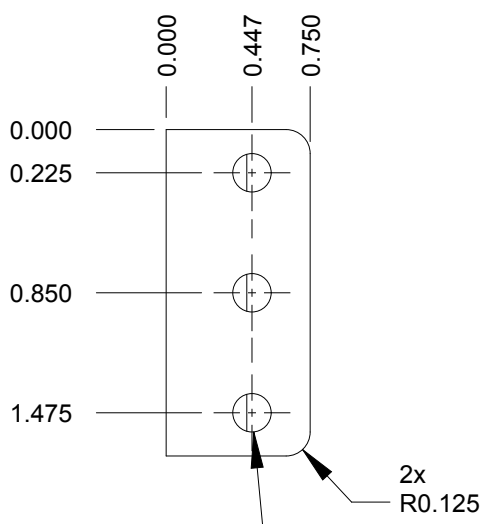
A

A



B

B



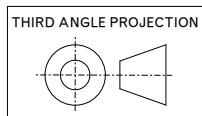
SCALE 0.500

C

C

NOTES:
 1. MATERIAL: 6061-T6 ALUMINUM
 2. FINISH: CLEAR ANODIZED

TOLERANCES:
 Unless otherwise specified:
 All dimensions in inches
 .X +/- .025
 .XX +/- .010
 .XXX +/- .005
 Angles +/- 1°



THIS DRAWING IS THE PROPERTY OF SYNQOR INC.
 It is not to be reproduced or copied, in whole
 or in part, or used for furnishing information
 to others, or for any purpose detrimental to the
 interests of SynQor. The information shown herein
 may be protected by patents owned or controlled by SynQor.

SynQor 155 Swanson Road
 Boxborough, MA 01719

**UPS Slide Rail, Behind-Rail Mount Kit
 (24" Depth, 450mm Opening)**

SOURCE: PRO/E 554-1000022			
SIZE	DATE	DWG. NO.	REV
A	FEB-02-18	SYN-9049	A
SCALE: 1.000	DRAWN: KJD	CHECK:	SHEET 8 of 8

1 2 3 4