

# Kit Contents

## REVISIONS

REV	DESCRIPTION	DATE	APPROVED
A	INITIAL RELEASE PER ECO 17-22247	03/21/17	K. DUBROWN

A

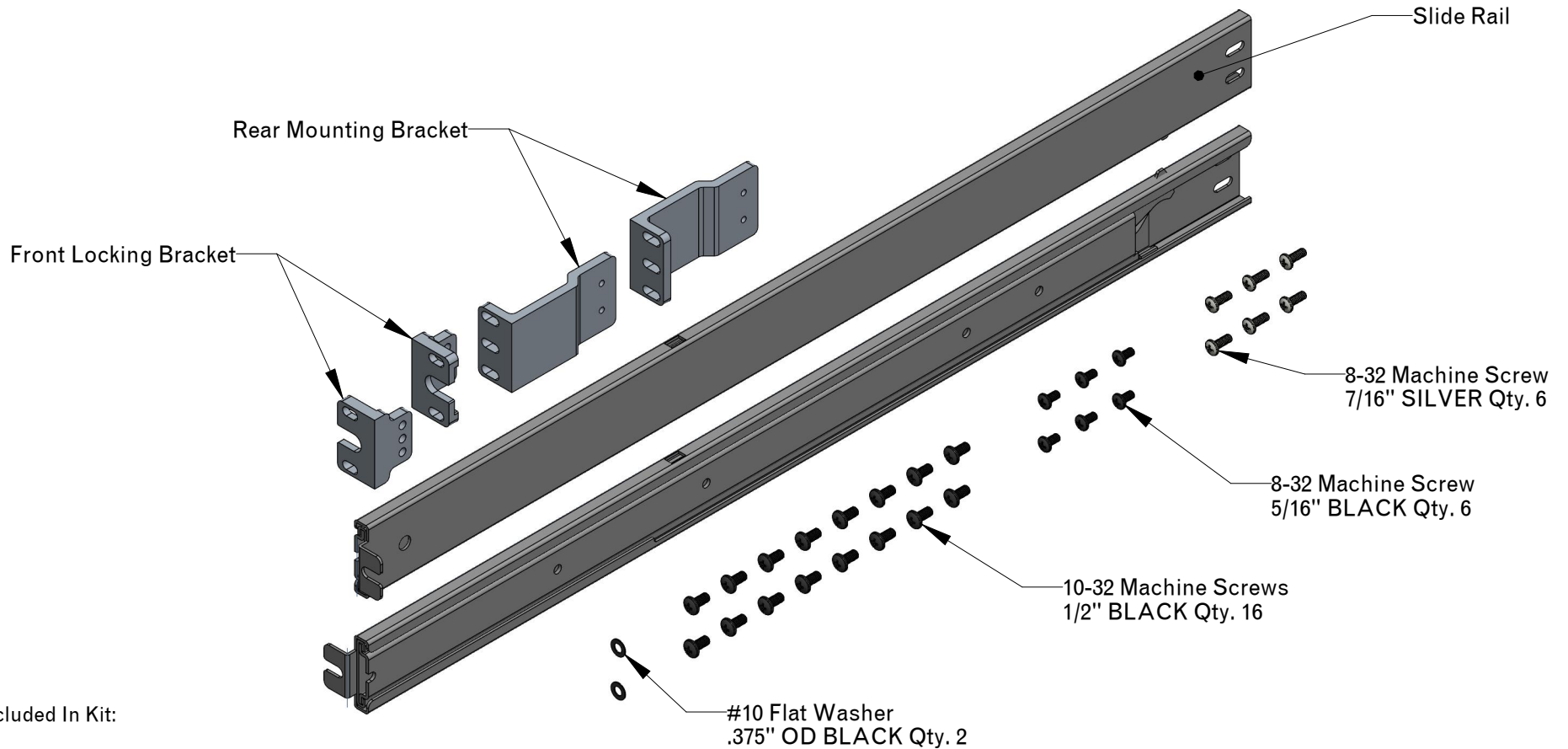
A

B

B

C

C



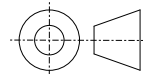
Included In Kit:

1. SLIDE RAIL, QTY: 2
2. REAR MOUNTING BRACKET, QTY: 2
3. FRONT LOCKING BRACKET, QTY: 2
4. 18-8 SS PAN HEAD PHILIPS MACHINE SCREW 8-32 THREAD, 5/16" LENGTH, BLACK OXIDE FINISH QTY: 6
5. 18-8 SS PAN HEAD PHILIPS MACHINE SCREW 8-32 THREAD, 7/16" LENGTH, PLAIN FINISH QTY: 6
6. 18-8 SS PAN HEAD PHILIPS MACHINE SCREW 10-32 THREAD, 1/2" LENGTH, BLACK OXIDE FINISH, QTY: 16
7. 18-8 SS #10 FLAT WASHER, 0.375" OD, BLACK OXIDE FINISH, QTY: 2
8. REFERENCE SYNQOR SPECIFICATIONS: 554-1000016 554-1000008 & 554-1000009
9. WEIGHT: 5.9 lbs (2.67 kg)

### TOLERANCES:

Unless otherwise specified:  
All dimensions in inches  
.X +/- .025  
.XX +/- .010  
.XXX +/- .005  
Angles +/- 1°

THIRD ANGLE PROJECTION



THIS DRAWING IS THE PROPERTY OF SYNQOR INC. It is not to be reproduced or copied, in whole or in part, or used for furnishing information to others, or for any purpose detrimental to the interests of SynQor. The information shown herein may be protected by patents owned or controlled by SynQor.

**SynQor**

155 Swanson Road  
Boxborough, MA 01719

## UPS Slide Rail Mount Kit (26" Depth)

SOURCE: PRO/E ASSEMBLY\_STEP5

SIZE	DATE	DWG. NO.	REV
A	MAR-21-17	SYN-9045	A
SCALE: 0.325		DRAWN: KJD	CHECK: SHEET 1 of 7

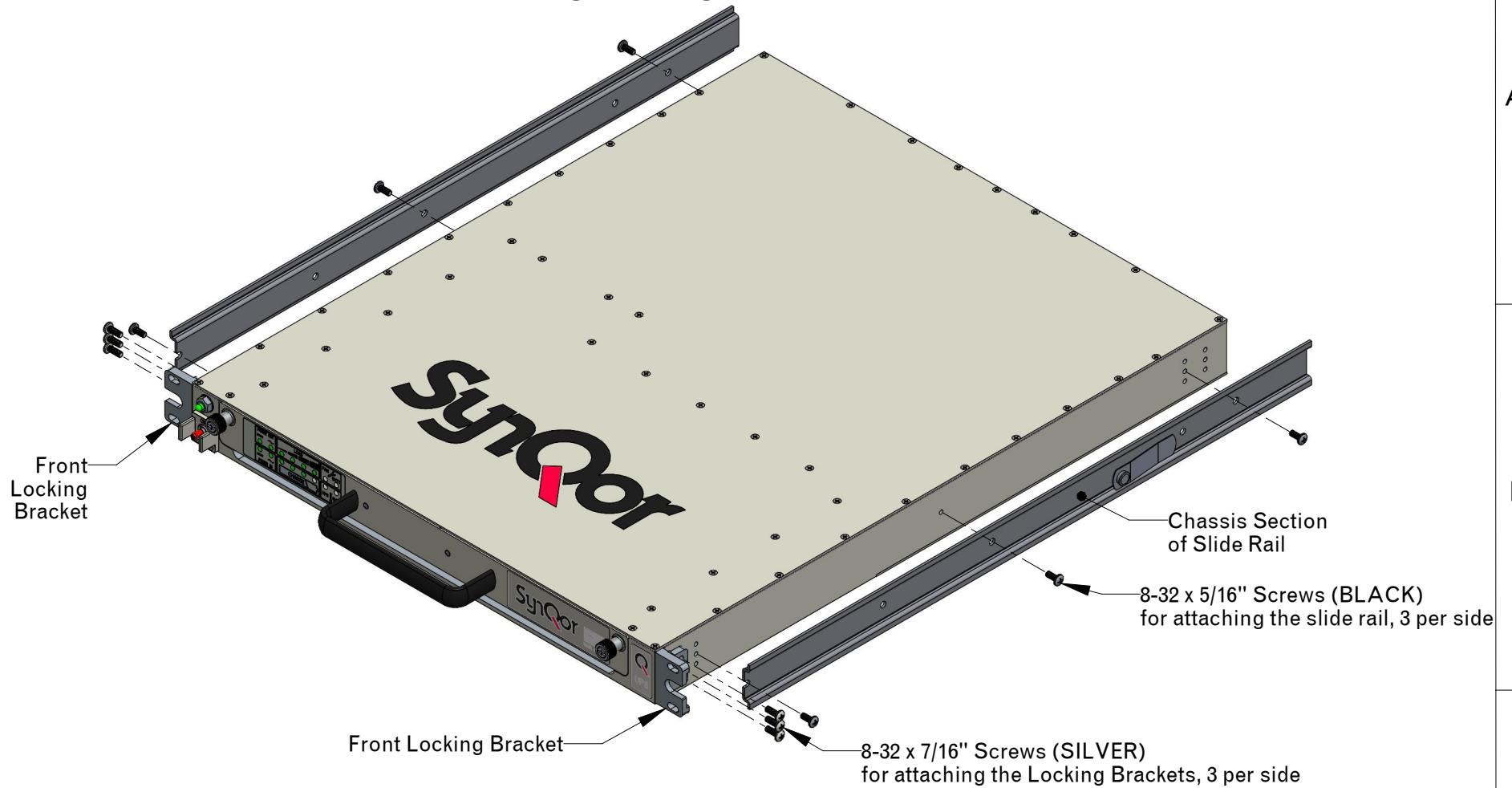
1

2

3

4

# Rail - Chassis Mounting Diagram

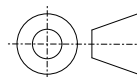


**TOLERANCES:**

Unless otherwise specified:  
All dimensions in inches

- .X +/- .025
- .XX +/- .010
- .XXX +/- .005
- Angles +/- 1°

THIRD ANGLE PROJECTION



THIS DRAWING IS THE PROPERTY OF SYNQOR INC.  
It is not to be reproduced or copied, in whole  
or in part, or used for furnishing information  
to others, or for any purpose detrimental to the  
interests of SynQor. The information shown herein  
may be protected by patents owned or controlled by SynQor.



155 Swanson Road  
Boxborough, MA 01719

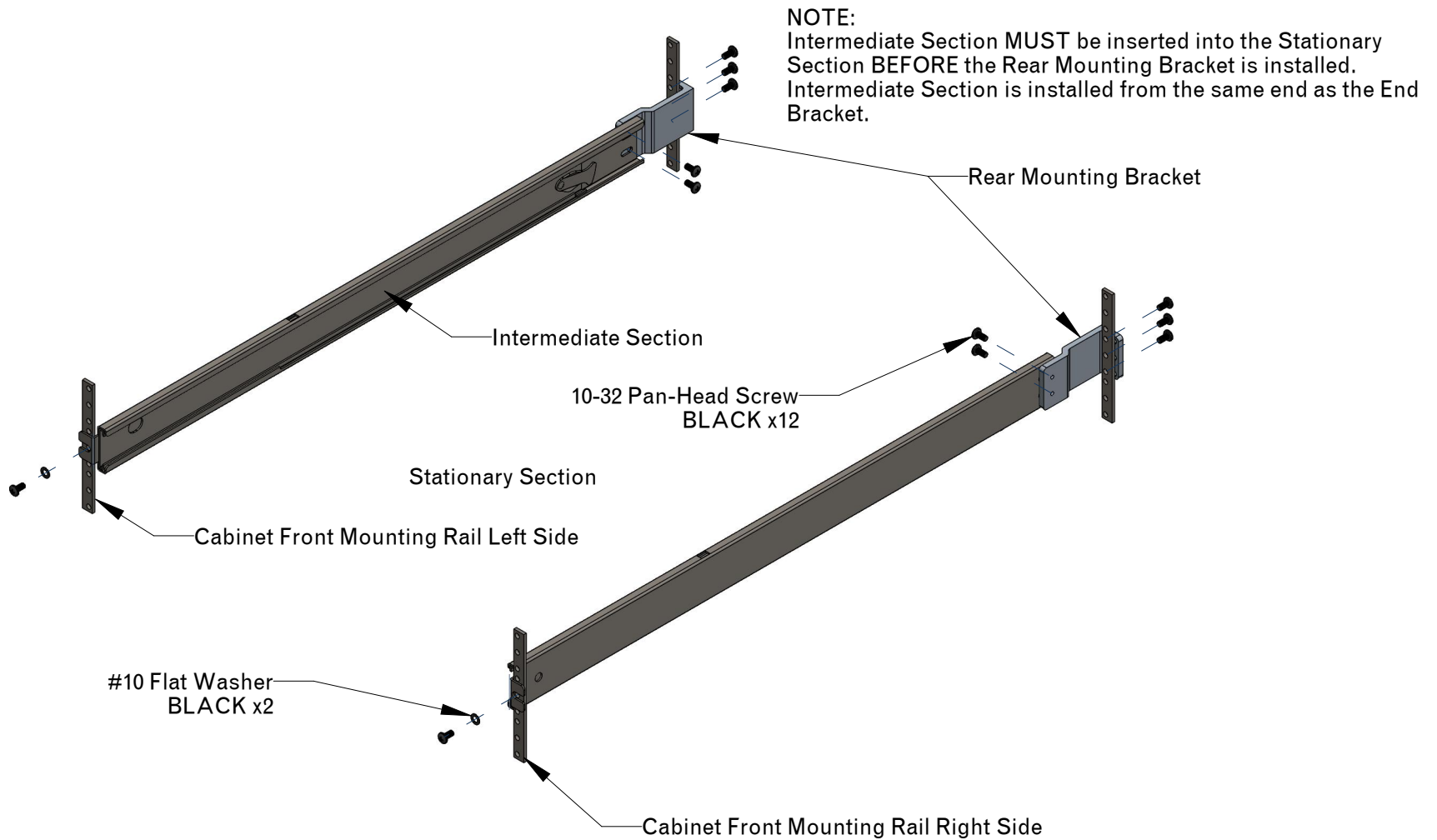
## UPS Slide Rail Mount Kit (26" Depth)

SOURCE: PRO/E ASSEMBLY\_STEP1

SIZE	DATE	DWG. NO.	REV
A	MAR-21-17	SYN-9045	A

SCALE: 0.250    DRAWN: KJD    CHECK:    SHEET 2 of 7

# Rail - Rack Mounting Diagram

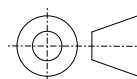


**TOLERANCES:**

Unless otherwise specified:  
All dimensions in inches

- .X +/- .025
- .XX +/- .010
- .XXX +/- .005
- Angles +/- 1°

THIRD ANGLE PROJECTION



THIS DRAWING IS THE PROPERTY OF SYNQOR INC. It is not to be reproduced or copied, in whole or in part, or used for furnishing information to others, or for any purpose detrimental to the interests of SynQor. The information shown herein may be protected by patents owned or controlled by SynQor.



155 Swanson Road  
Boxborough, MA 01719

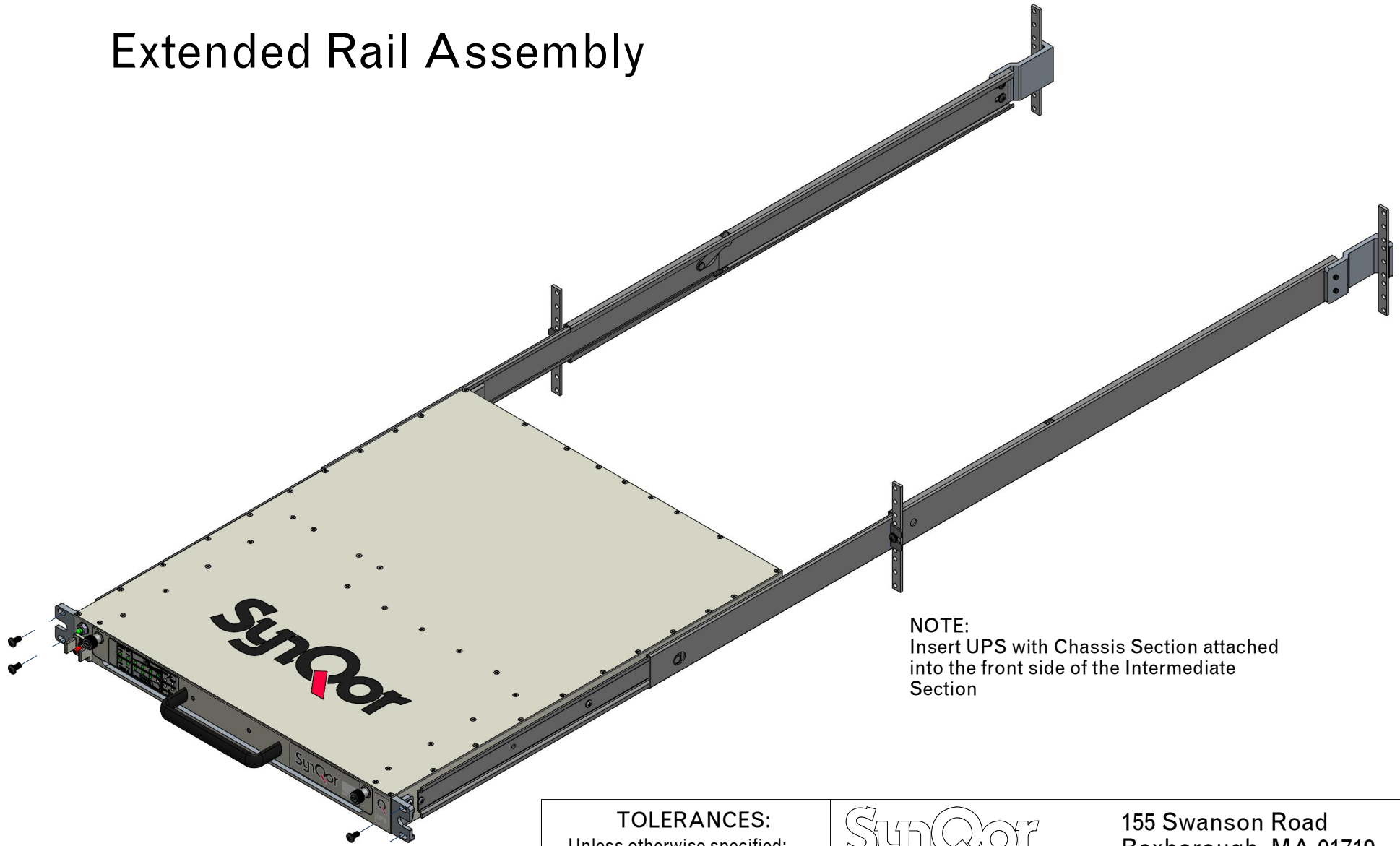
## UPS Slide Rail Mount Kit (26" Depth)

SOURCE: PRO/E ASSEMBLY\_STEP2

SIZE	DATE	DWG. NO.	REV
A	MAR-21-17	SYN-9045	A

SCALE: 0.200    DRAWN: KJD    CHECK:    SHEET 3 of 7

# Extended Rail Assembly



**NOTE:**  
Insert UPS with Chassis Section attached into the front side of the Intermediate Section

10-32 Pan-Head Screw  
BLACK x4

**TOLERANCES:**  
Unless otherwise specified:  
All dimensions in inches  
.X +/- .025  
.XX +/- .010  
.XXX +/- .005  
Angles +/- 1°

THIRD ANGLE PROJECTION

THIS DRAWING IS THE PROPERTY OF SYNQOR INC.  
It is not to be reproduced or copied, in whole or in part, or used for furnishing information to others, or for any purpose detrimental to the interests of SynQor. The information shown herein may be protected by patents owned or controlled by SynQor.

**SynQor** 155 Swanson Road  
Boxborough, MA 01719

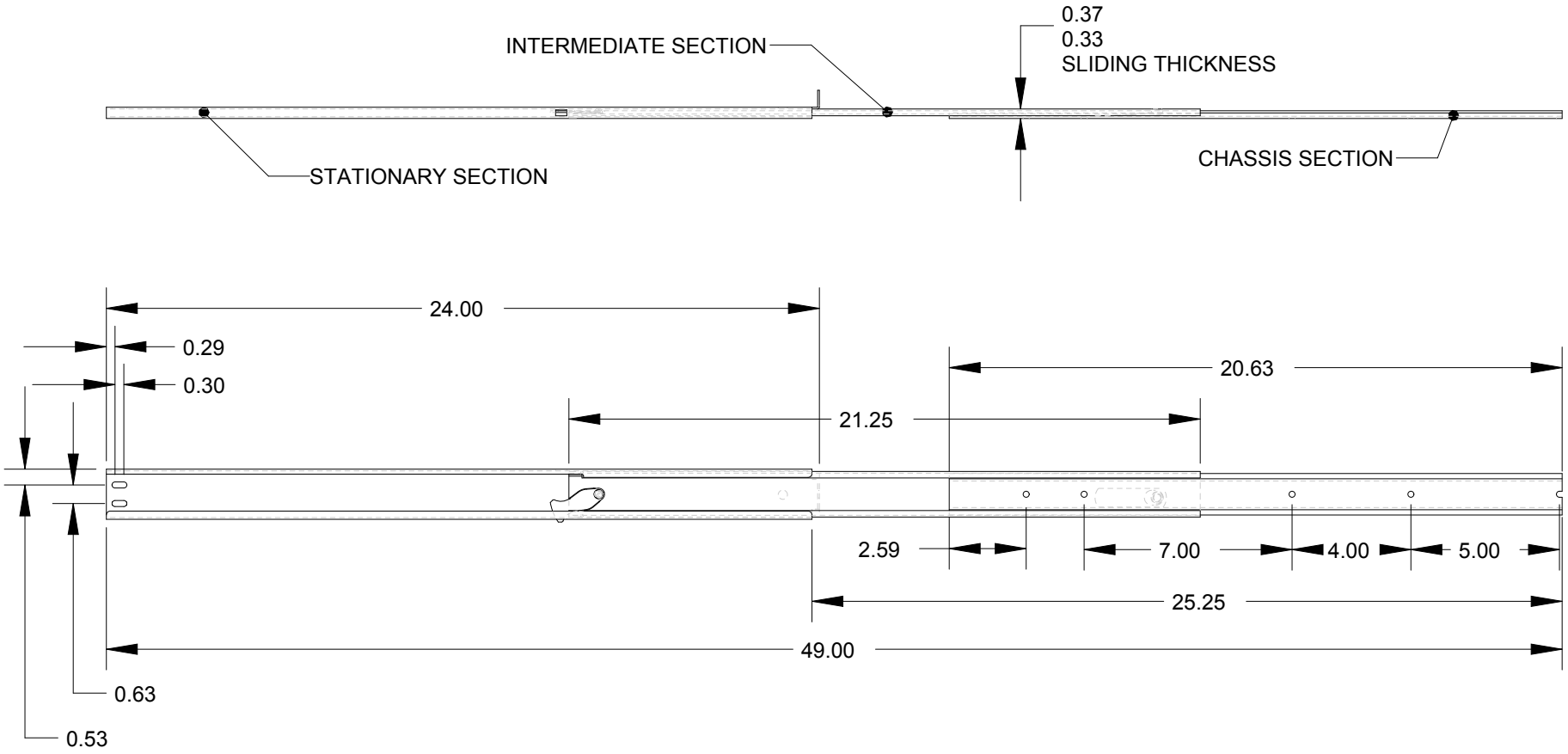
**UPS Slide Rail Mount Kit (26" Depth)**

SOURCE: PRO/E ASSEMBLY\_STEP3

SIZE	DATE	DWG. NO.	REV
A	MAR-21-17	SYN-9045	A

SCALE: 0.190    DRAWN: KJD    CHECK:    SHEET 4 of 7

# Slide Rail Details



- Notes**
1. ALL SLIDING MEMBERS OF THE STANDARD SLIDE ARE MADE FROM COLD ROLLED STEEL.
  2. WEIGHT CAPACITY OF THE RAIL IS 85 lbs.

**TOLERANCES:**  
 Unless otherwise specified:  
 All dimensions in inches  
 .X +/- .025  
 .XX +/- .010  
 .XXX +/- .005  
 Angles +/- 1°

THIRD ANGLE PROJECTION

THIS DRAWING IS THE PROPERTY OF SYNQOR INC.  
 It is not to be reproduced or copied, in whole or in part, or used for furnishing information to others, or for any purpose detrimental to the interests of SynQor. The information shown herein may be protected by patents owned or controlled by SynQor.

**SynQor** 155 Swanson Road  
 Boxborough, MA 01719

**UPS Slide Rail Mount Kit (26" Depth)**

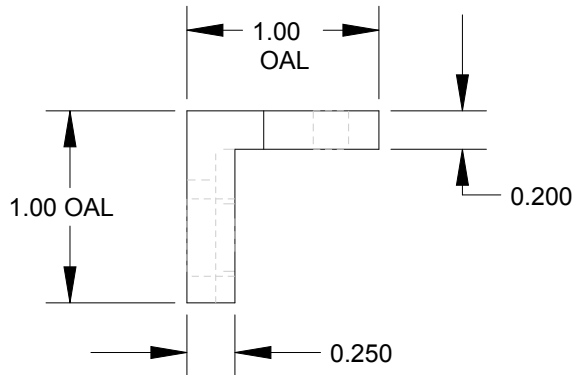
SOURCE: PRO/E 554-1000016

SIZE	DATE	DWG. NO.	REV
A	MAR-21-17	SYN-9045	A
SCALE: 0.180	DRAWN: KJD	CHECK:	SHEET 5 of 7

1 2 3 4

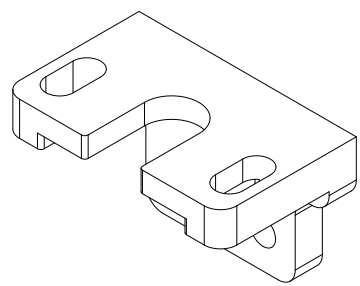
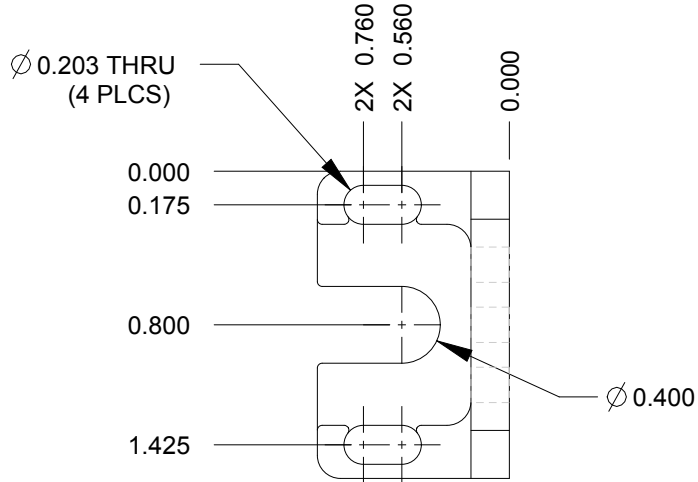
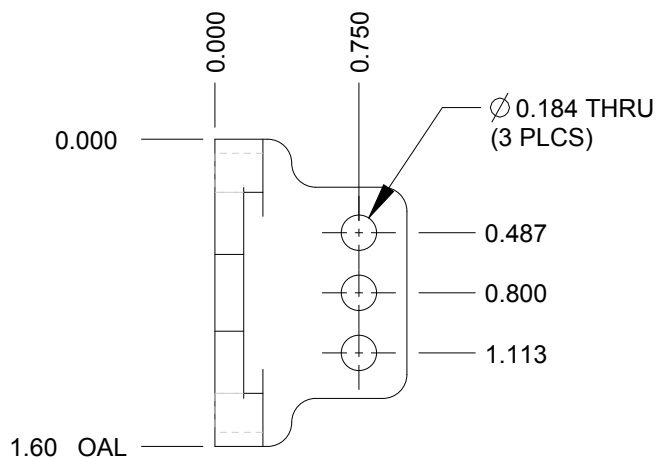
A

A



B

B



C

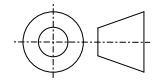
C

NOTES:  
 1. MATERIAL: 6061-T6 ALUMINUM  
 2. FINISH: CLEAR ANODIZED

**TOLERANCES:**

Unless otherwise specified:  
 All dimensions in inches  
 .X +/- .025  
 .XX +/- .010  
 .XXX +/- .005  
 Angles +/- 1°

THIRD ANGLE PROJECTION



THIS DRAWING IS THE PROPERTY OF SYNQOR INC.  
 It is not to be reproduced or copied, in whole or in part, or used for furnishing information to others, or for any purpose detrimental to the interests of SynQor. The information shown herein may be protected by patents owned or controlled by SynQor.



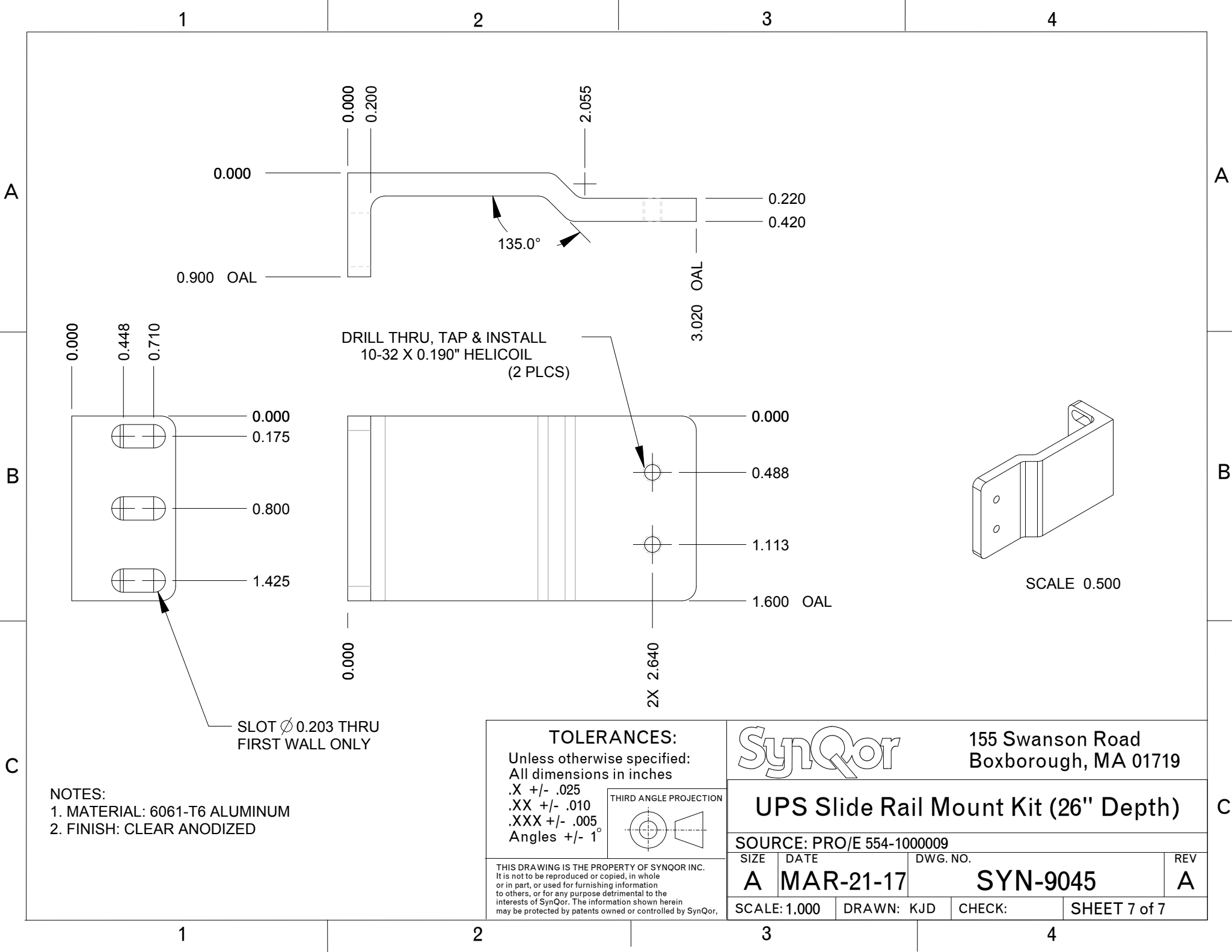
155 Swanson Road  
 Boxborough, MA 01719

**UPS Slide Rail Mount Kit (26" Depth)**

SOURCE: PRO/E 554-1000008

SIZE	DATE	DWG. NO.	REV
A	MAR-21-17	SYN-9045	A
SCALE: 1.000	DRAWN: KJD	CHECK:	SHEET 6 of 7

1 2 3 4



A

A

B

B

C

C

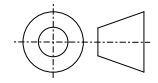
NOTES:  
 1. MATERIAL: 6061-T6 ALUMINUM  
 2. FINISH: CLEAR ANODIZED

**TOLERANCES:**

Unless otherwise specified:  
 All dimensions in inches

- .X +/- .025
- .XX +/- .010
- .XXX +/- .005
- Angles +/- 1°

THIRD ANGLE PROJECTION



THIS DRAWING IS THE PROPERTY OF SYNQOR INC.  
 It is not to be reproduced or copied, in whole or in part, or used for furnishing information to others, or for any purpose detrimental to the interests of SynQor. The information shown herein may be protected by patents owned or controlled by SynQor.



155 Swanson Road  
 Boxborough, MA 01719

**UPS Slide Rail Mount Kit (26" Depth)**

SOURCE: PRO/E 554-1000009

SIZE	DATE	DWG. NO.	REV
A	MAR-21-17	SYN-9045	A
SCALE: 1.000	DRAWN: KJD	CHECK:	SHEET 7 of 7