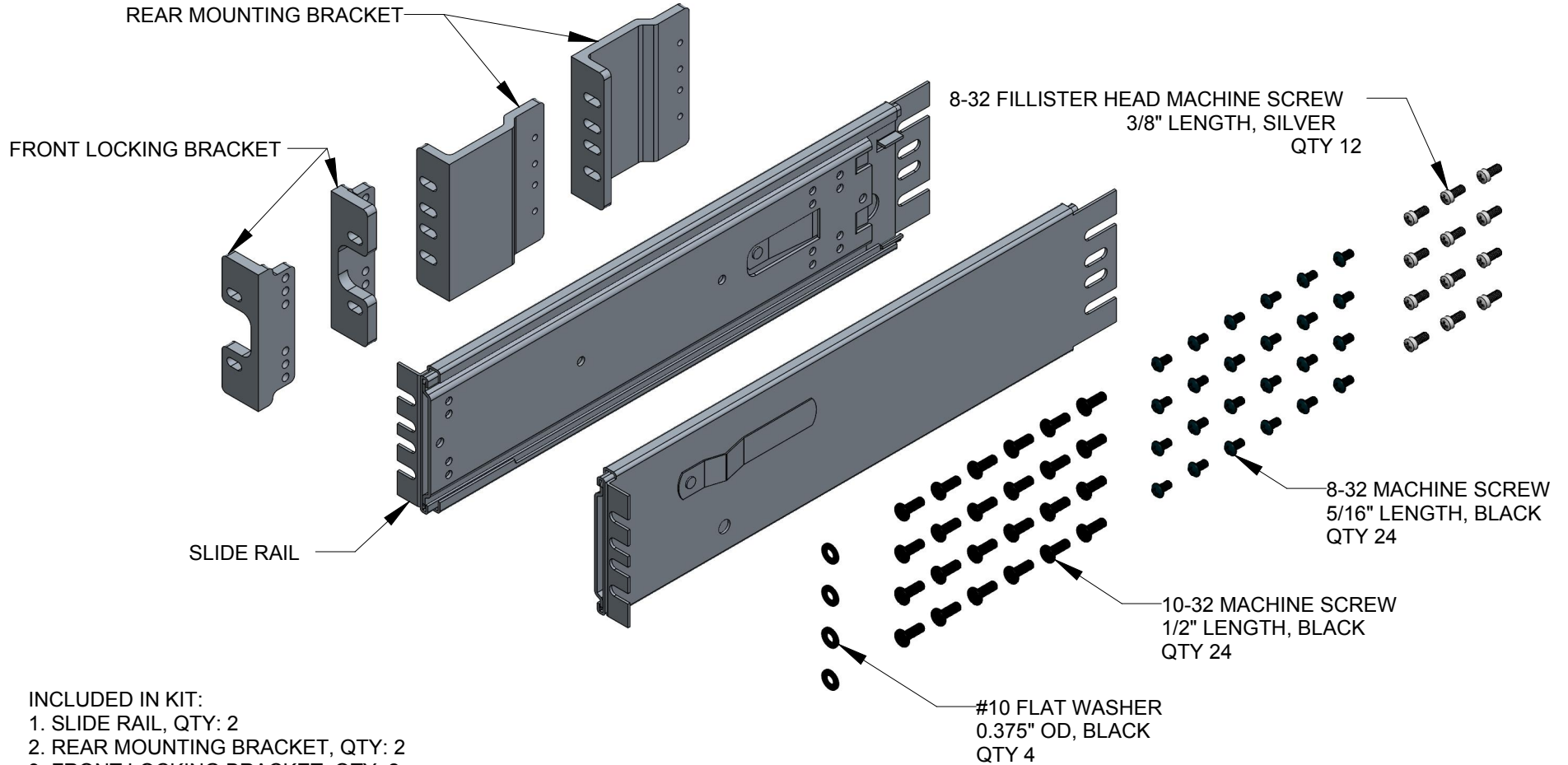


KIT CONTENTS

REVISIONS

REV	DESCRIPTION	DATE	APPROVED
1	INITIAL RELEASE PER ECO 16-21965	02/28/17	K. BROWN



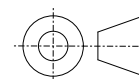
INCLUDED IN KIT:

1. SLIDE RAIL, QTY: 2
2. REAR MOUNTING BRACKET, QTY: 2
3. FRONT LOCKING BRACKET, QTY: 2
4. 18-8 SS PAN HEAD PHILIPS MACHINE SCREW 8-32 THREAD, 5/16" LENGTH, BLACK OXIDE FINISH QTY: 24
5. 18-8 SS FILLISTER HEAD PHILIPS MACHINE SCREW 8-32 THREAD, 3/8" LENGTH, PLAIN FINISH QTY: 12
6. 18-8 SS PAN HEAD PHILIPS MACHINE SCREW 10-32 THREAD, 1/2" LENGTH, BLACK OXIDE FINISH, QTY: 24
7. 18-8 SS #10 FLAT WASHER, 0.375" OD, BLACK OXIDE FINISH, QTY: 4
8. REFERENCE SYNQOR SPECIFICATIONS: 554-1000013 554-1000014 & 554-1000015

TOLERANCES:

Unless otherwise specified:
All dimensions in inches
.X +/- .025
.XX +/- .010
.XXX +/- .005
Angles +/- 1°

THIRD ANGLE PROJECTION



THIS DRAWING IS THE PROPERTY OF SYNQOR INC.
It is not to be reproduced or copied, in whole or in part, or used for furnishing information to others, or for any purpose detrimental to the interests of SynQor. The information shown herein may be protected by patents owned or controlled by SynQor.

SynQor

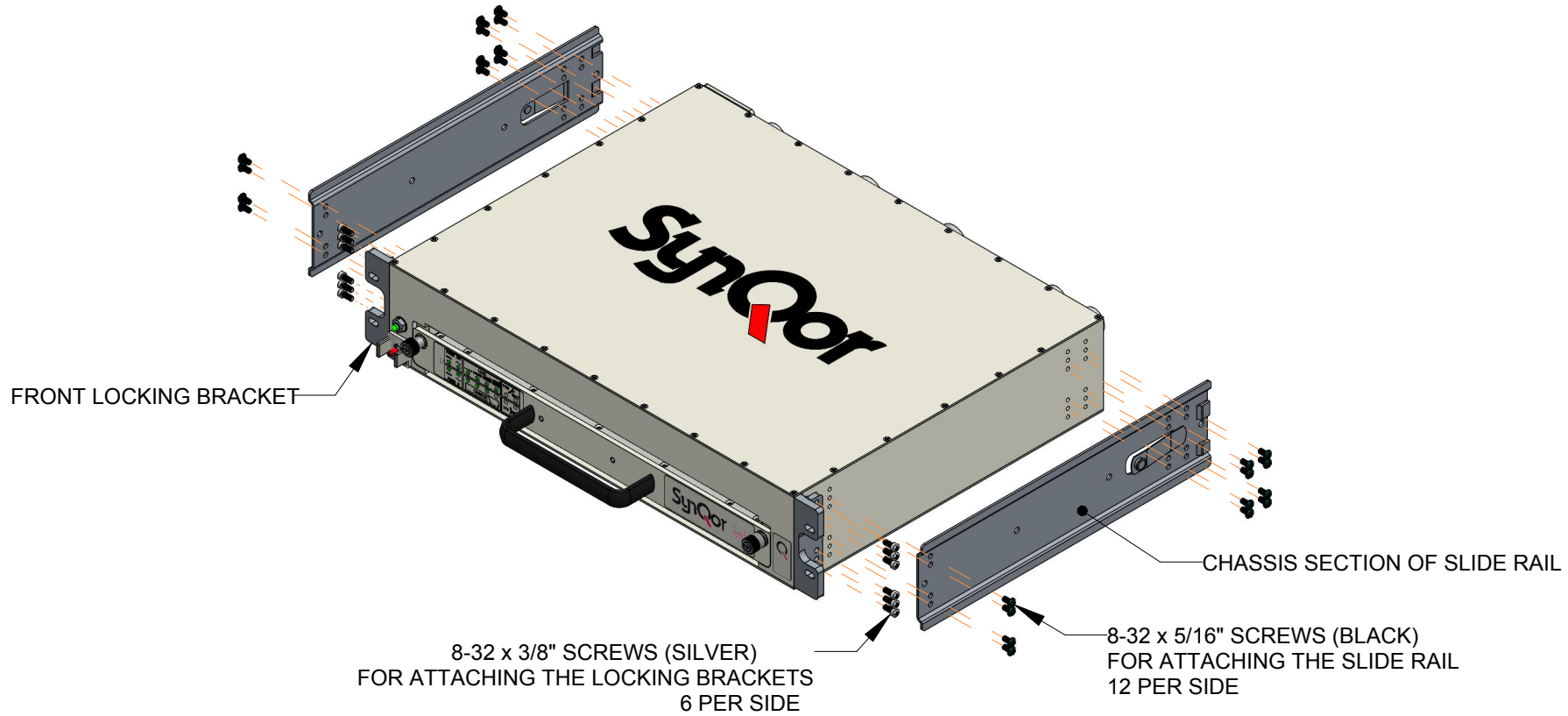
155 Swanson Road
Boxborough, MA 01719

UPS SHORT RACK SLIDE MOUNT KIT (400mm DEPTH)

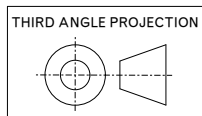
SOURCE: PRO/E 554-1000013

SIZE	DATE	DWG. NO.	REV
A	FEB-28-17	SYN-9043	1
SCALE: 0.325	DRAWN: KJB	CHECK:	SHEET 1 of 7

RAIL-CHASSIS MOUNTING DIAGRAM



TOLERANCES:
 Unless otherwise specified:
 All dimensions in inches
 .X +/- .025
 .XX +/- .010
 .XXX +/- .005
 Angles +/- 1°



THIS DRAWING IS THE PROPERTY OF SYNQOR INC.
 It is not to be reproduced or copied, in whole
 or in part, or used for furnishing information
 to others, or for any purpose detrimental to the
 interests of SynQor. The information shown herein
 may be protected by patents owned or controlled by SynQor.



155 Swanson Road
 Boxborough, MA 01719

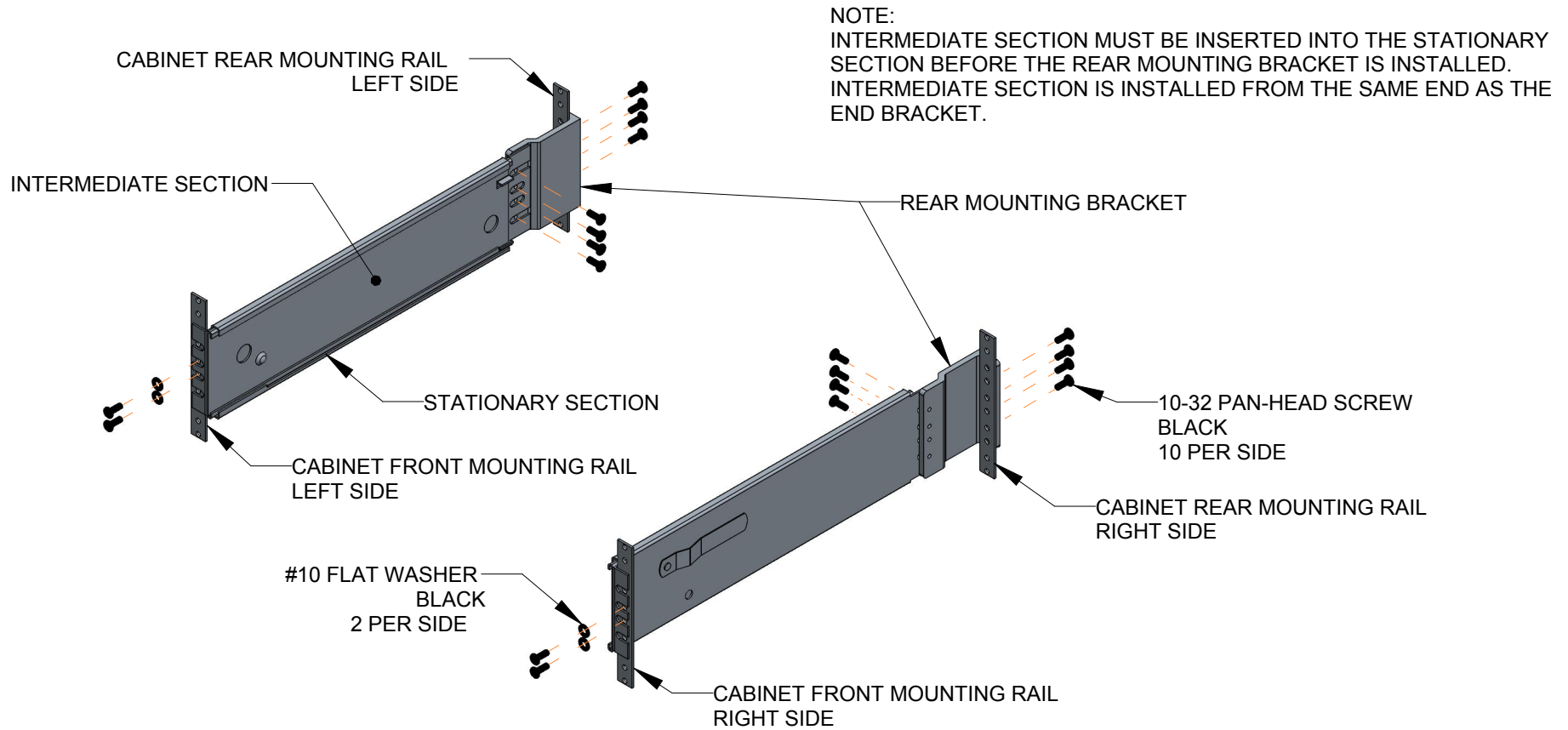
UPS SHORT RACK SLIDE MOUNT KIT (400mm DEPTH)

SOURCE: PRO/E 554-1000013

SIZE	DATE	DWG. NO.	REV
A	FEB-28-17	SYN-9043	1

SCALE: 0.200	DRAWN: KJB	CHECK:	SHEET 2 of 7
--------------	------------	--------	--------------

RAIL-RACK MOUNTING DIAGRAM

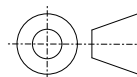


TOLERANCES:

Unless otherwise specified:
 All dimensions in inches

- .X +/- .025
- .XX +/- .010
- .XXX +/- .005
- Angles +/- 1°

THIRD ANGLE PROJECTION



THIS DRAWING IS THE PROPERTY OF SYNQOR INC.
 It is not to be reproduced or copied, in whole or in part, or used for furnishing information to others, or for any purpose detrimental to the interests of SynQor. The information shown herein may be protected by patents owned or controlled by SynQor.



155 Swanson Road
 Boxborough, MA 01719

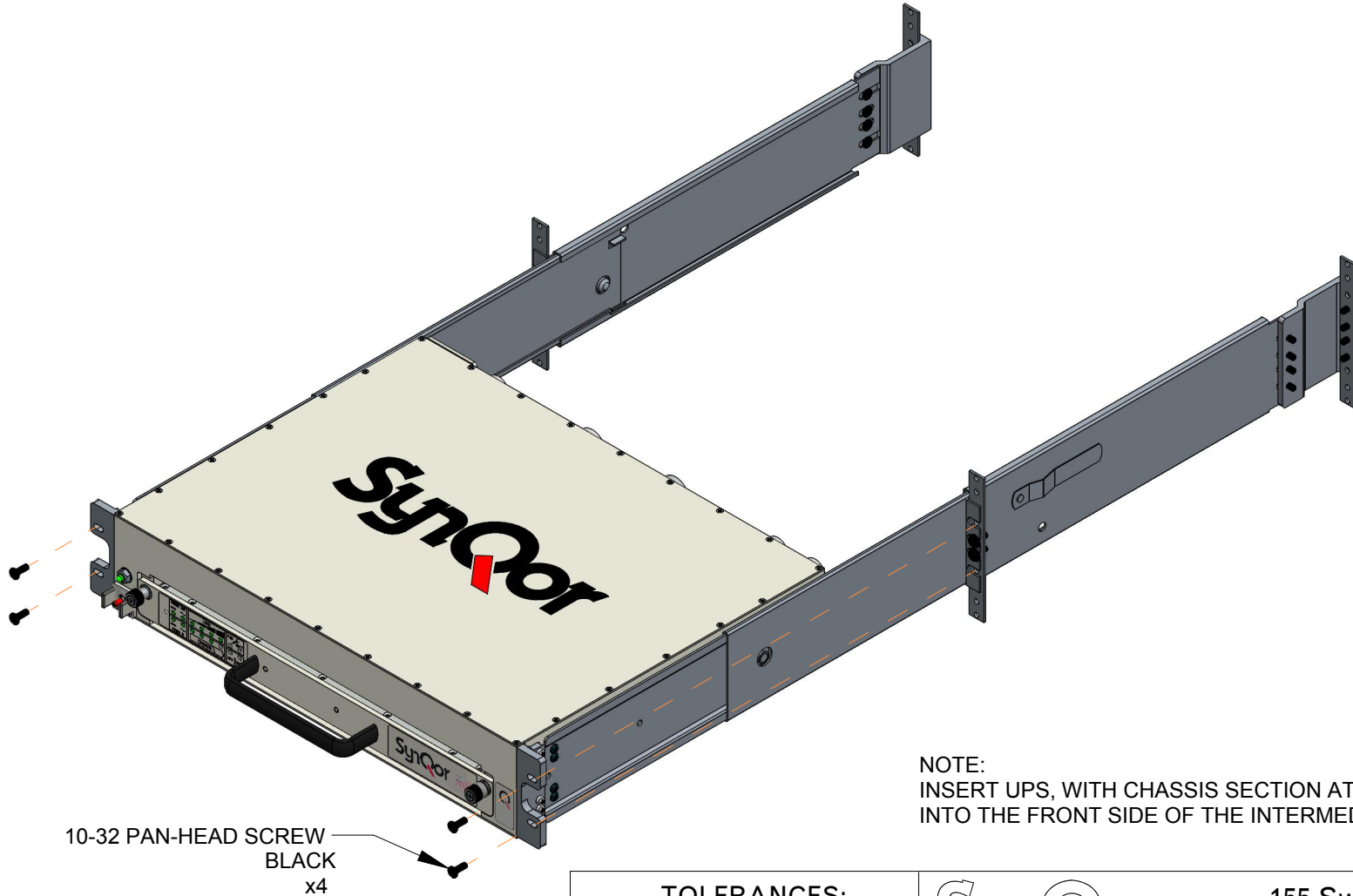
**UPS SHORT RACK SLIDE
 MOUNT KIT (400mm DEPTH)**

SOURCE: PRO/E 554-1000013

SIZE	DATE	DWG. NO.	REV
A	FEB-28-17	SYN-9043	1

SCALE: 1.000 DRAWN: KJB CHECK: SHEET 3 of 7

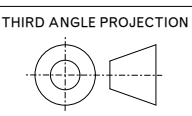
RAIL-RACK MOUNTING DIAGRAM



10-32 PAN-HEAD SCREW
BLACK
x4

NOTE:
INSERT UPS, WITH CHASSIS SECTION ATTACHED,
INTO THE FRONT SIDE OF THE INTERMEDIATE SECTION

TOLERANCES:
Unless otherwise specified:
All dimensions in inches
.X +/- .025
.XX +/- .010
.XXX +/- .005
Angles +/- 1°



THIS DRAWING IS THE PROPERTY OF SYNQOR INC.
It is not to be reproduced or copied, in whole
or in part, or used for furnishing information
to others, or for any purpose detrimental to the
interests of SynQor. The information shown herein
may be protected by patents owned or controlled by SynQor.



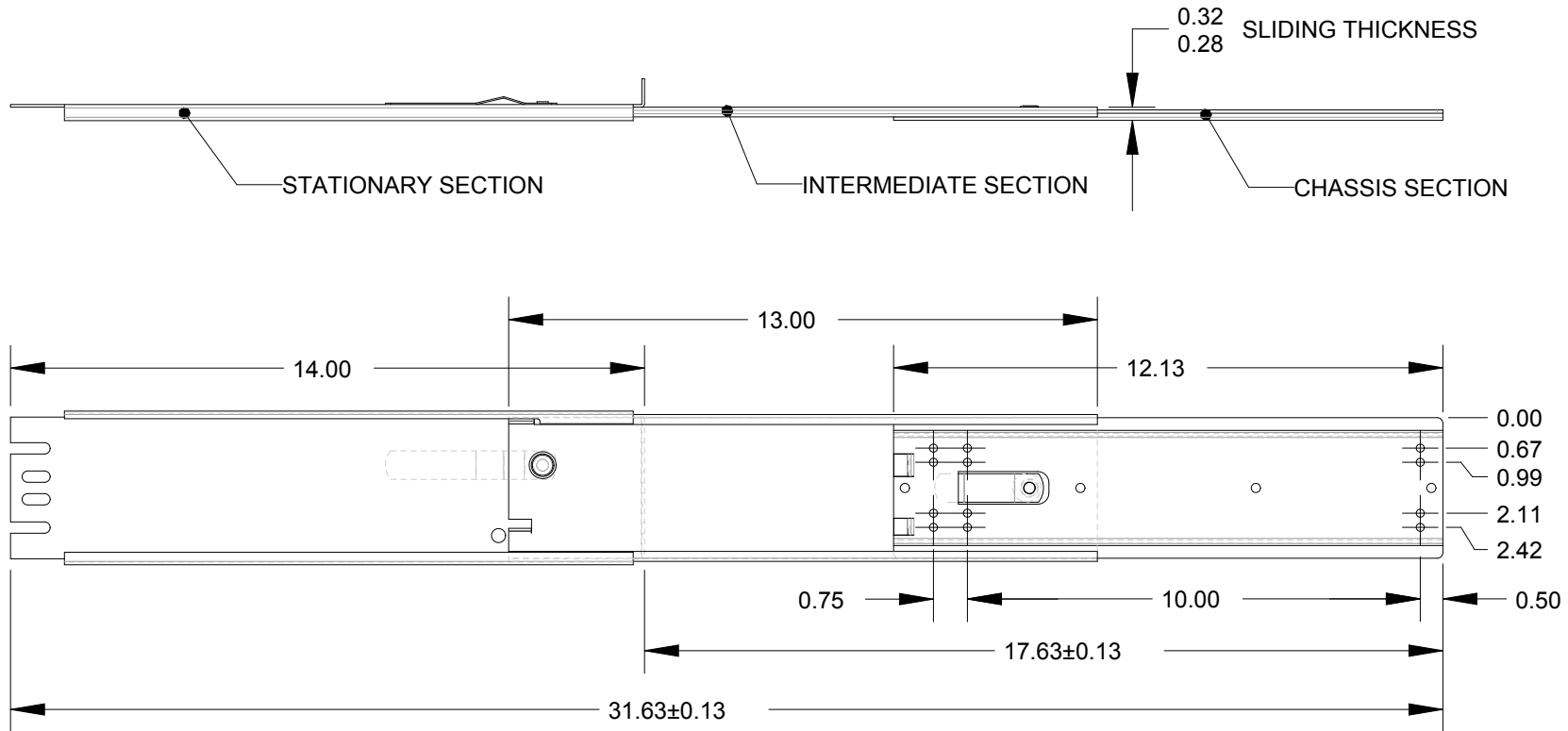
155 Swanson Road
Boxborough, MA 01719

UPS SHORT RACK SLIDE MOUNT KIT (400mm DEPTH)

SOURCE: PRO/E 554-1000013

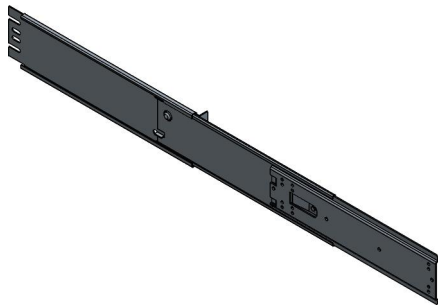
SIZE	DATE	DWG. NO.	REV
A	FEB-28-17	SYN-9043	1
SCALE: 0.200	DRAWN: KJB	CHECK:	SHEET 4 of 7

SLIDE RAIL DETAILS



NOTES

1. ALL SLIDING MEMBERS OF THE STANDARD SLIDE ARE MADE FROM COLD ROLLED STEEL.
2. WEIGHT CAPACITY OF THE RAIL IS 125 lbs.

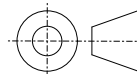


TOLERANCES:

Unless otherwise specified:
All dimensions in inches

.X +/- .025
.XX +/- .010
.XXX +/- .005
Angles +/- 1°

THIRD ANGLE PROJECTION



THIS DRAWING IS THE PROPERTY OF SYNQOR INC.
It is not to be reproduced or copied, in whole or in part, or used for furnishing information to others, or for any purpose detrimental to the interests of SynQor. The information shown herein may be protected by patents owned or controlled by SynQor.

SynQor

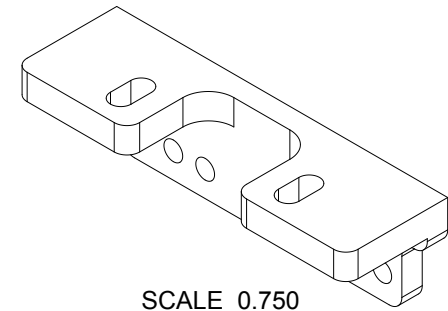
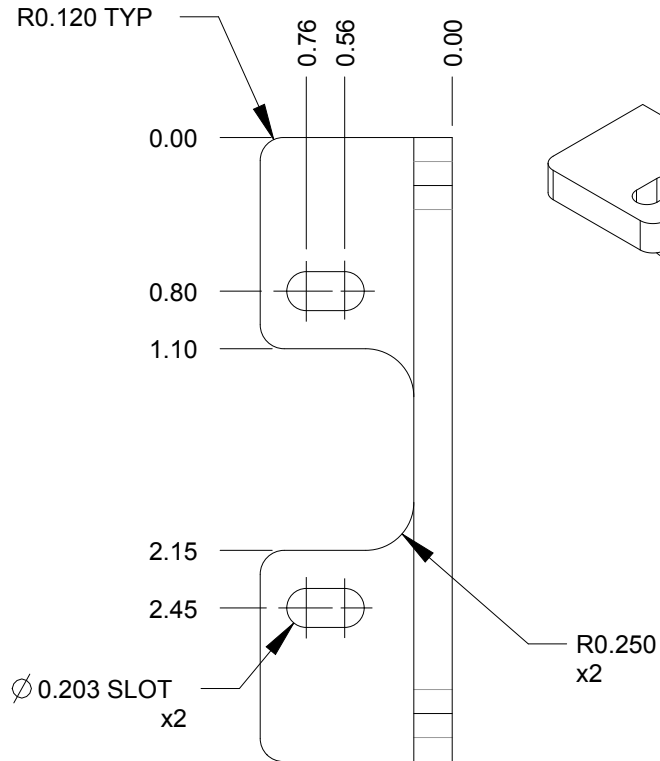
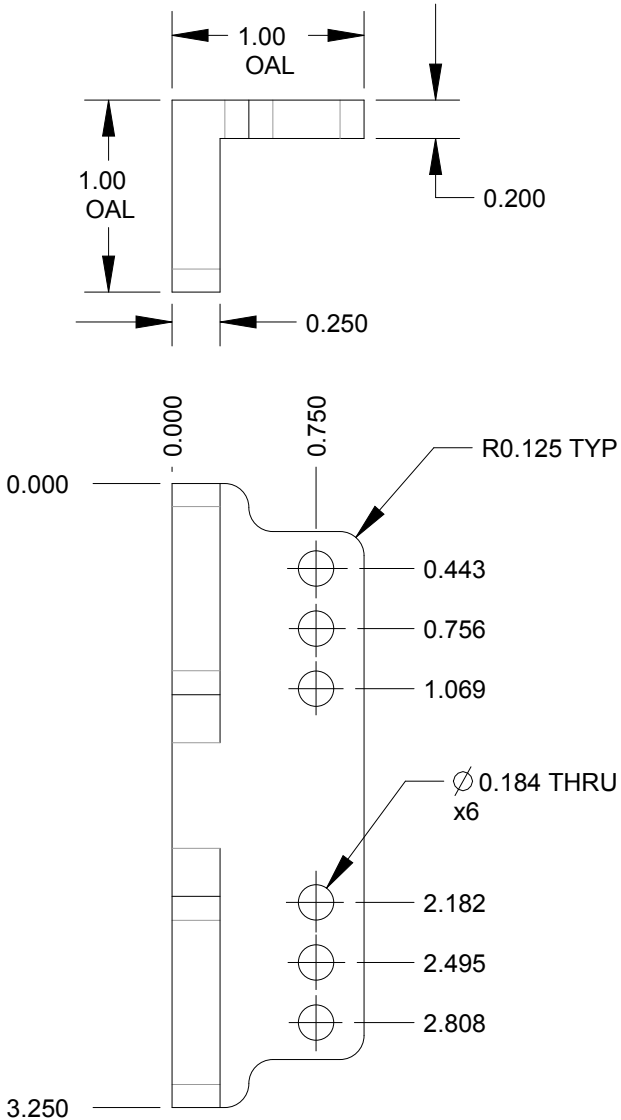
155 Swanson Road
Boxborough, MA 01719

UPS SHORT RACK SLIDE MOUNT KIT (400mm DEPTH)

SOURCE: PRO/E 554-1000013

SIZE	DATE	DWG. NO.	REV
A	FEB-28-17	SYN-9043	1
SCALE: 0.250		DRAWN: KJB	CHECK:
			SHEET 5 of 7

FRONT BRACKET DETAILS



A

A

B

B

C

C

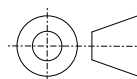
NOTES:
 1. MATERIAL: 6061-T6 ALUMINUM
 2. FINISH: CLEAR ANODIZED

TOLERANCES:

Unless otherwise specified:
 All dimensions in inches

.X +/- .025
 .XX +/- .010
 .XXX +/- .005
 Angles +/- 1°

THIRD ANGLE PROJECTION



THIS DRAWING IS THE PROPERTY OF SYNQOR INC.
 It is not to be reproduced or copied, in whole
 or in part, or used for furnishing information
 to others, or for any purpose detrimental to the
 interests of SynQor. The information shown herein
 may be protected by patents owned or controlled by SynQor.



155 Swanson Road
 Boxborough, MA 01719

UPS SHORT RACK SLIDE MOUNT KIT (400mm DEPTH)

SOURCE: PRO/E 554-1000013

SIZE	DATE	DWG. NO.	REV
A	FEB-28-17	SYN-9043	1

SCALE: 1.000 DRAWN: KJB CHECK: SHEET 6 of 7

1

2

3

4

1

2

3

4

1

2

3

4

A

A

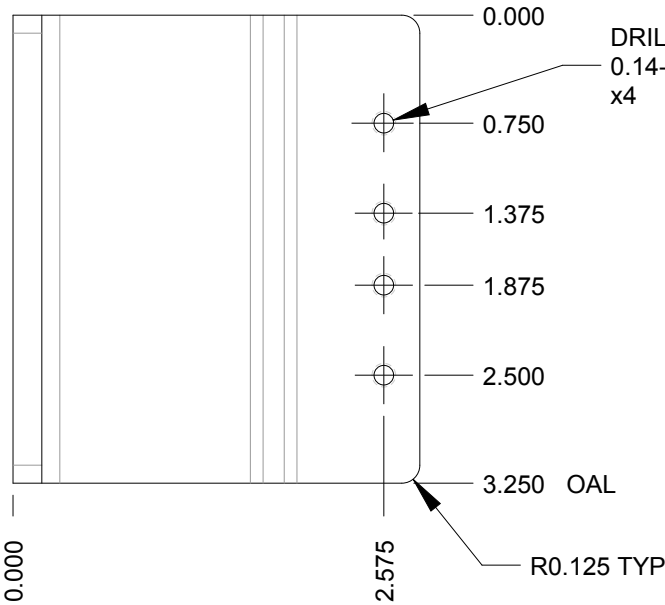
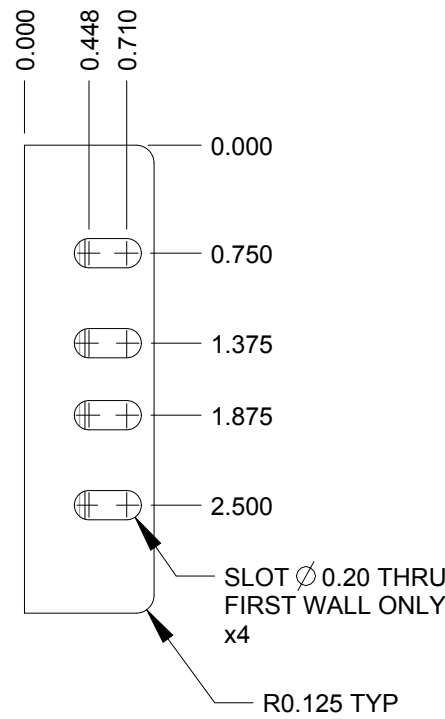
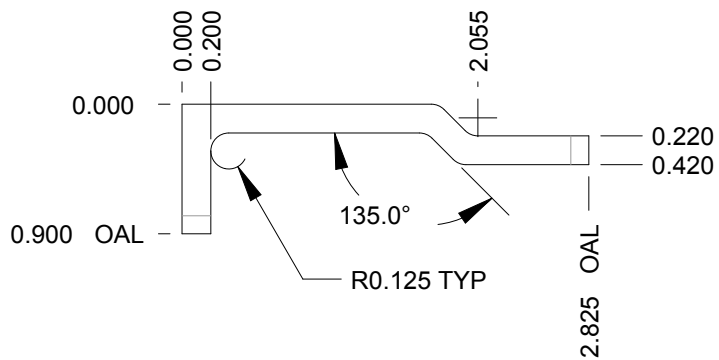
B

B

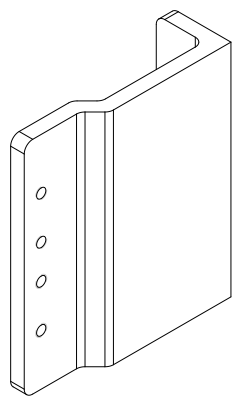
C

C

REAR BRACKET DETAILS



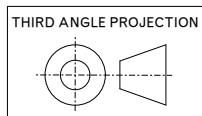
DRILL THRU, TAP & INSTALL
0.14-32 x 0.190" HELICOIL
x4



SCALE: 0.500

NOTES:
1. MATERIAL: 6061-T6 ALUMINUM
2. FINISH: CLEAR ANODIZED

TOLERANCES:
Unless otherwise specified:
All dimensions in inches
.X +/- .025
.XX +/- .010
.XXX +/- .005
Angles +/- 1°



THIS DRAWING IS THE PROPERTY OF SYNQOR INC.
It is not to be reproduced or copied, in whole
or in part, or used for furnishing information
to others, or for any purpose detrimental to the
interests of SynQor. The information shown herein
may be protected by patents owned or controlled by SynQor.



155 Swanson Road
Boxborough, MA 01719

UPS SHORT RACK SLIDE MOUNT KIT (400mm DEPTH)

SOURCE: PRO/E 554-1000013

SIZE A	DATE FEB-28-17	DWG. NO. SYN-9043	REV 1
SCALE: 0.500		DRAWN: KJB	CHECK:
SHEET 7 of 7			

1

2

3

4